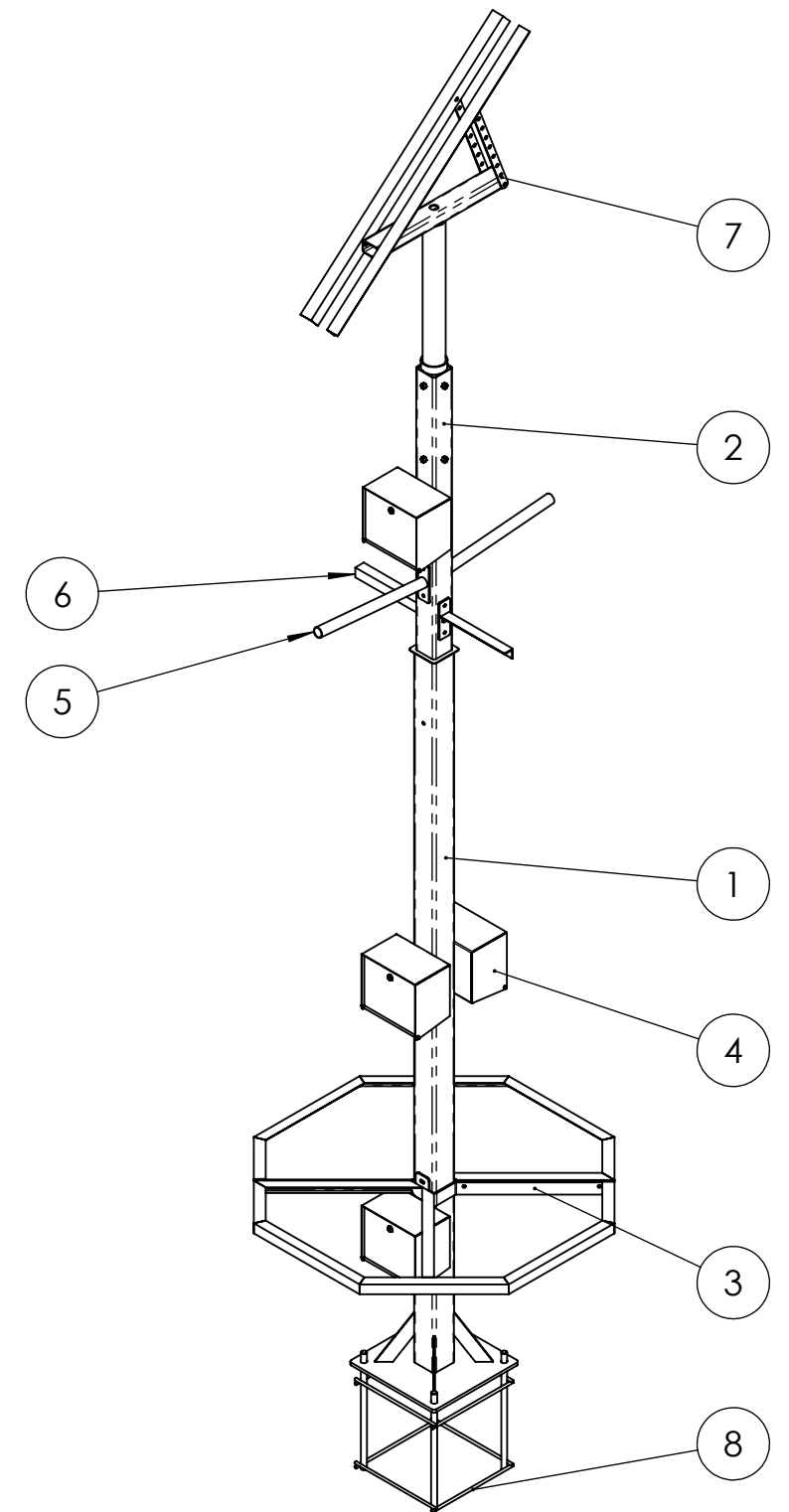
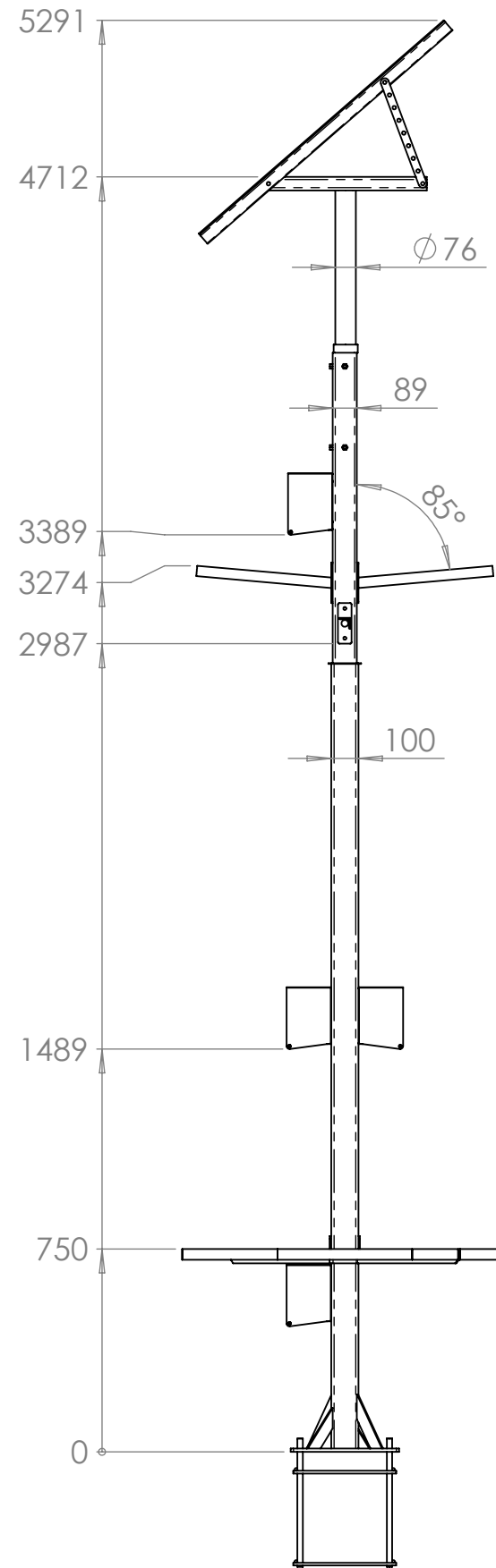
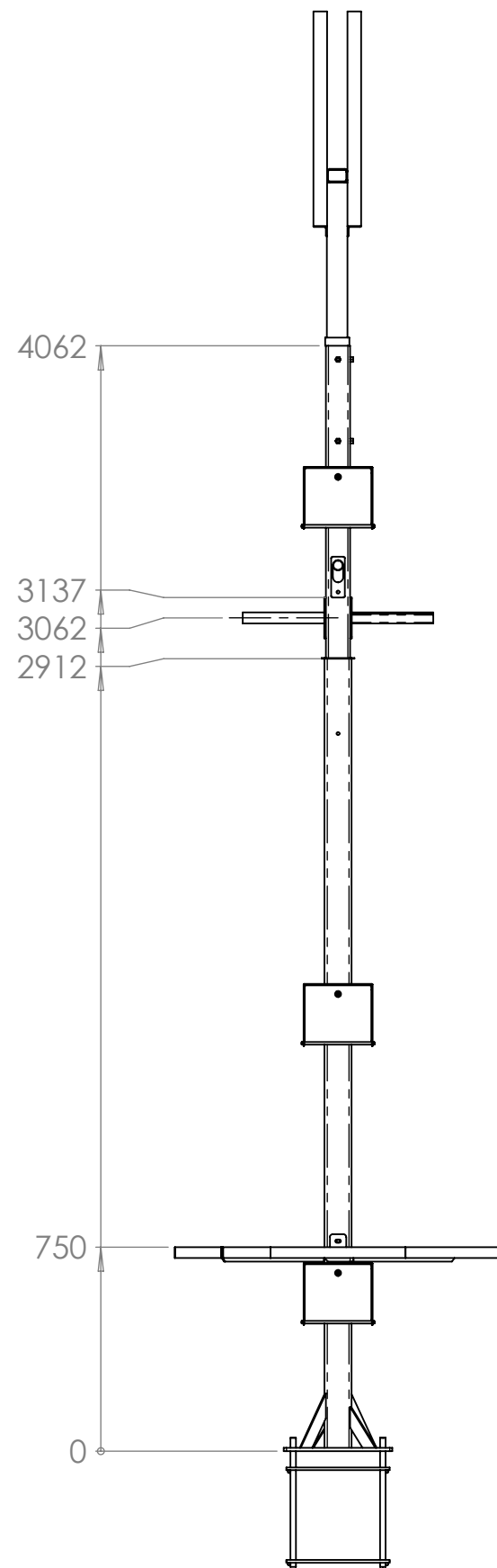


ITEM NO.	PART NUMBER	DESCRIPTION	QTY.
1	022147-20-01	Pole base	1
2	022147-30-01	Pole extension	1
3	022147	Table half frame	2
4	022147-50	E Box	4
5	022147-40-02	Lamp mount	2
6	022147-40-01	Speaker mount	2
7	022147-61	Solar panel mount_adj	1
8	022147-10-01	Foundation cage	1



JUNO ENGINEERING LTD
9 GARLAND ST
Matamata, New Zealand 3440
PHONE 07 888 8635

ALL DIMENSIONS IN mm
DO NOT SCALE
DEBUR SHARP EDGES
IF IN DOUBT ASK

Copyright in this drawing resides in:
JUNO ENGINEERING LTD

All drawings remain the property of Juno Engineering Ltd, they may not be copied or reproduced without permission of the company.

PROJECT

SHEET DESCRIPTION

DRAWN BY

CRP

DRAWN

16/09/2022

APPROX. WEIGHT

DESCRIPTION

022147-001 Pole

DWG No.

SURFACE AREA

SHEET 1 / 1

SIZE A3

MR