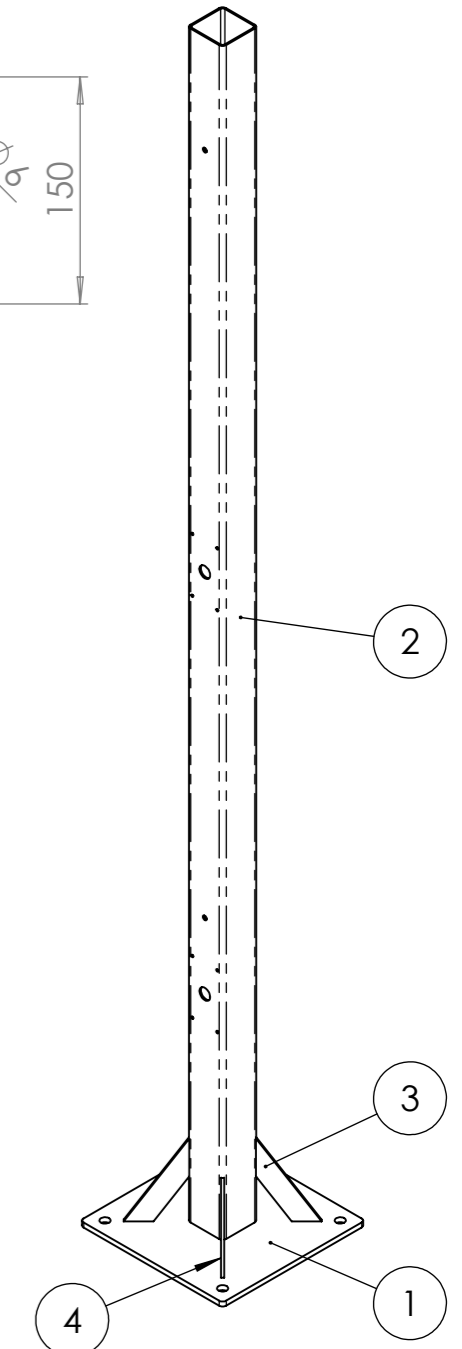
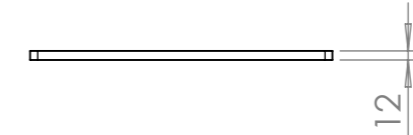
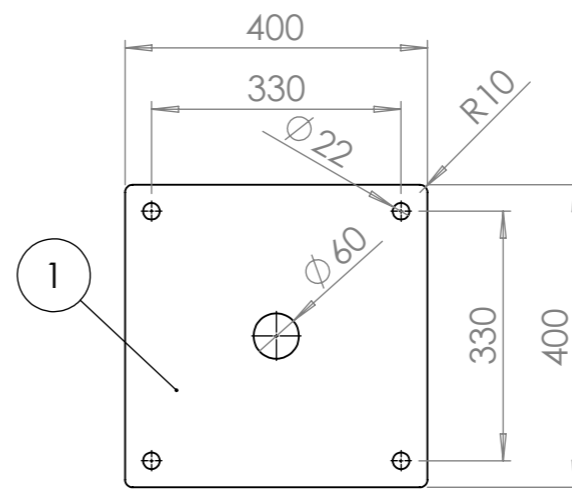


**3 PLACES  
DETAIL A**  
SCALE 1 : 5



ITEM NO.	QTY.	DESCRIPTION	LENGTH
1	1	Base Plate	
2	1	100x100x4 RHS	2900
3	2	50x6 FLAT	238.54
4	2	50x6 FLAT	199.2



JUNO ENGINEERING LTD  
9 GARLAND ST  
Matamata, New Zealand 3440  
PHONE 07 888 8635

Copyright in this drawing resides in:  
**JUNO ENGINEERING LTD**  
All drawings remain the property of Juno Engineering Ltd, they may not be copied or reproduced without permission of the company.

PROJECT	022147-20-01 Pole base		
SHEET DESCRIPTION	DWG No.		
DRAWN BY	CRP	DRAWN	15/09/2022
APPROX. WEIGHT	49529.25	SURFACE AREA	
SHEET	1 / 1	SIZE	A3
MR			