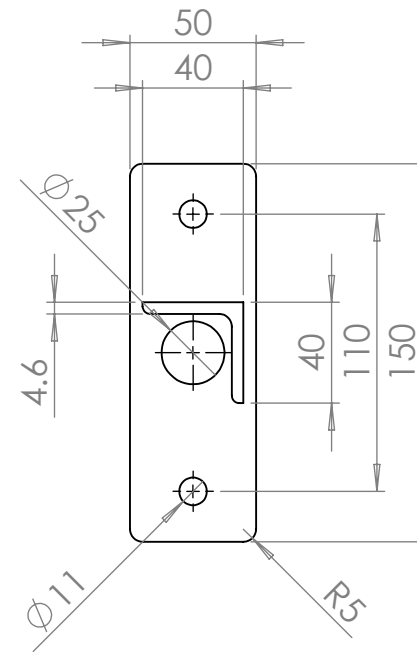
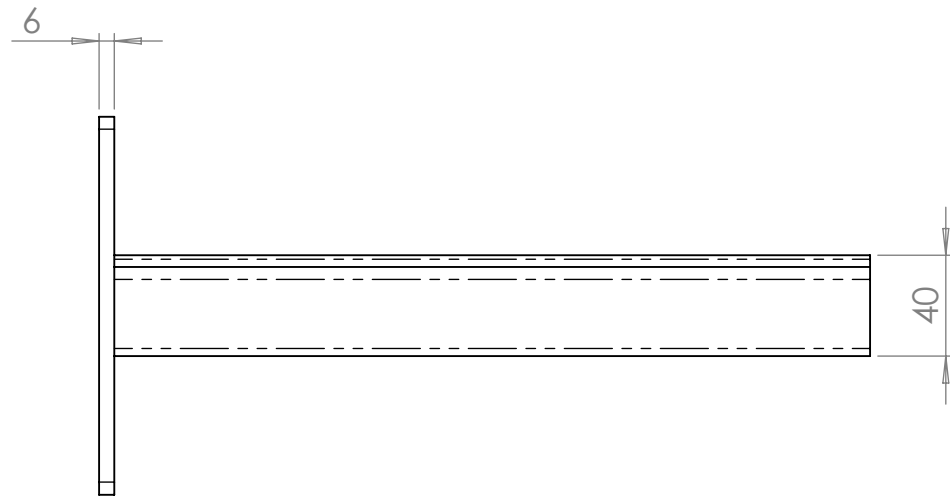
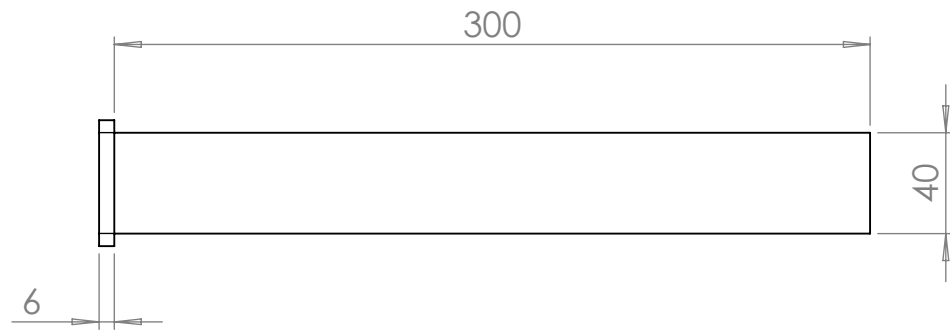
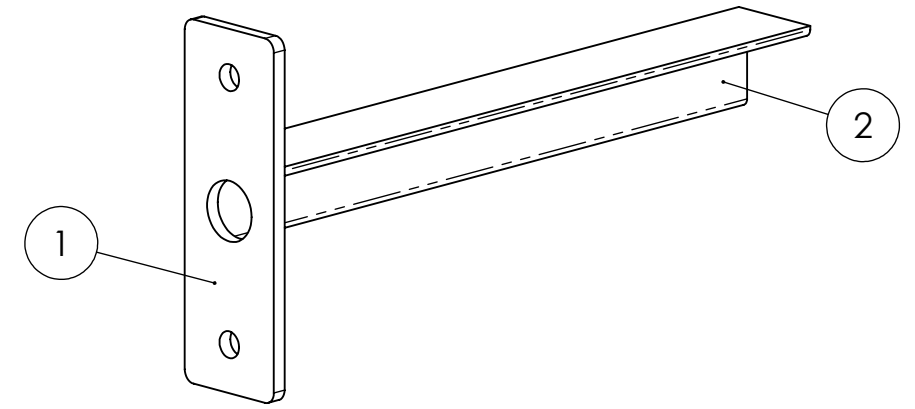


ITEM NO.	QTY.	DESCRIPTION	LENGTH
1	1	Foot Plate	
2	1	40x40x5 EA	300



JUNO ENGINEERING LTD
9 GARLAND ST
Matamata, New Zealand 3440
PHONE 07 888 8635

Copyright in this drawing resides in:
JUNO ENGINEERING LTD

ALL DIMENSIONS IN mm
DO NOT SCALE
DEBUR SHARP EDGES
IF IN DOUBT ASK



All drawings remain the property of Juno Engineering Ltd, they may not be copied or reproduced without permission of the company.

PROJECT

SHEET DESCRIPTION

DRAWN BY

CRP

DRAWN

15/09/2022

APPROX. WEIGHT

1133.25

DESCRIPTION

022147-40-01 Speaker mount

DWG No.

SURFACE AREA

SHEET 1 / 1

SIZ A3

MR