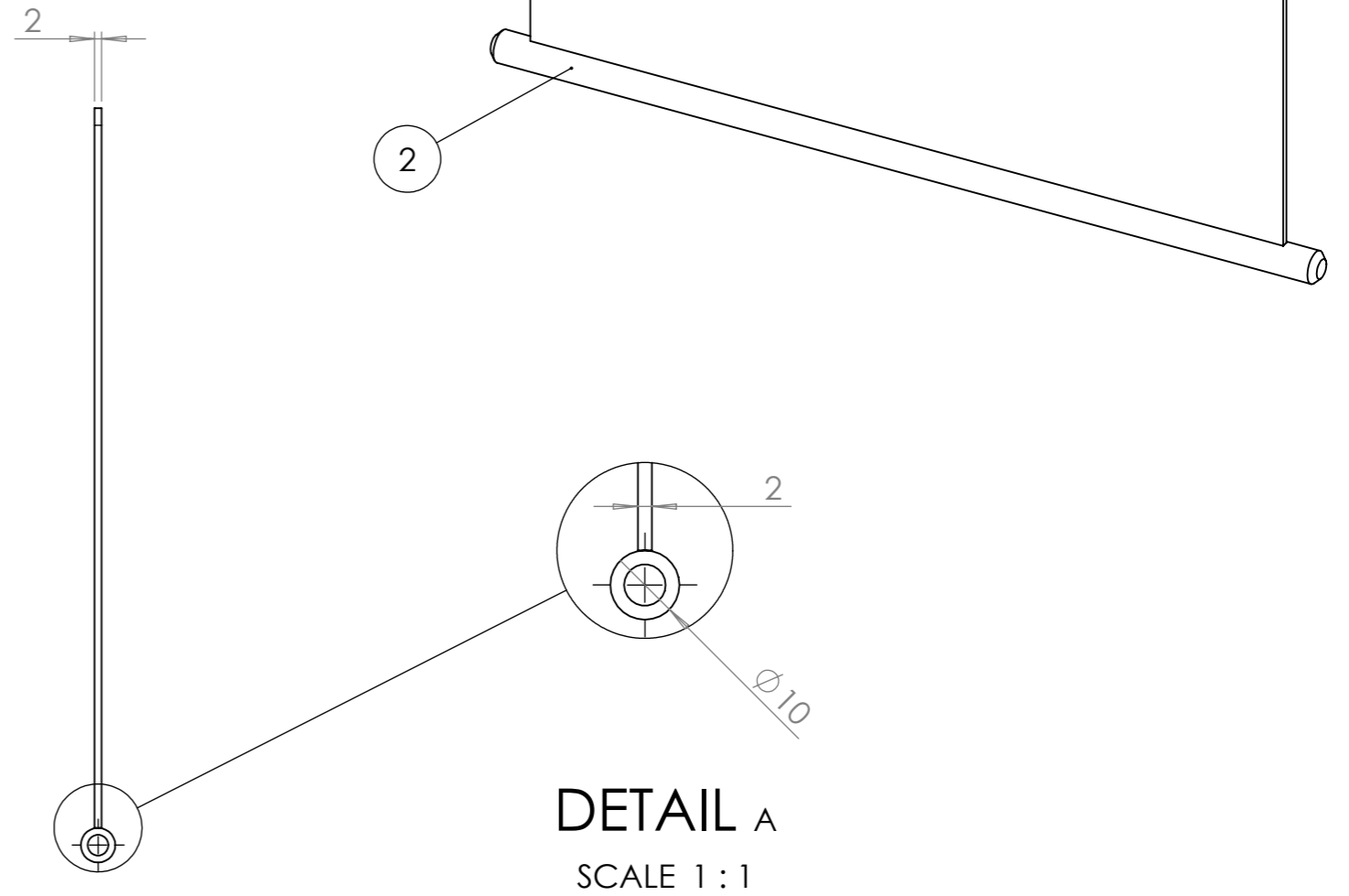
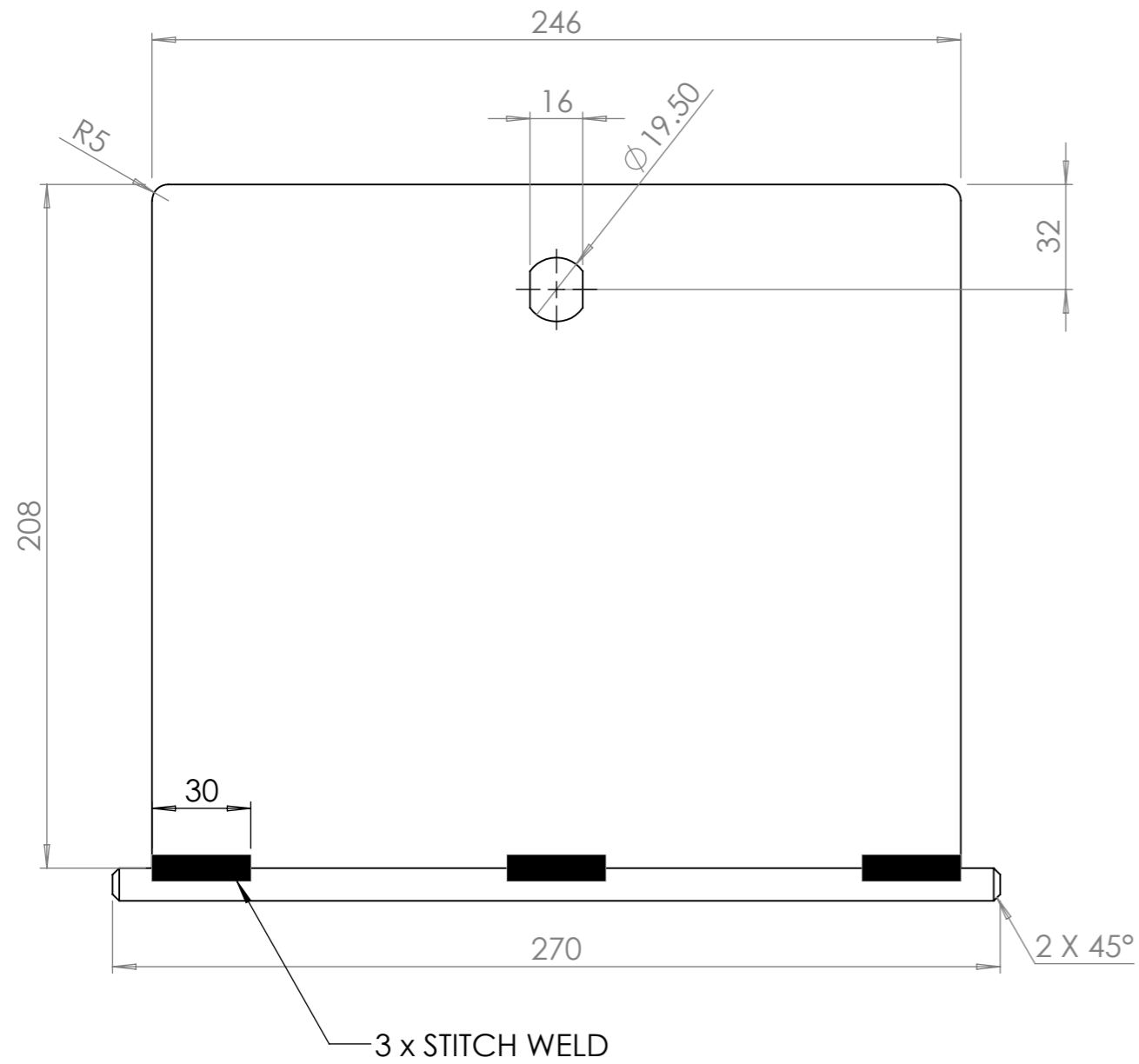


ITEM NO.	QTY.	DESCRIPTION	LENGTH
1	1	Sheet	
2	1		



JUNO ENGINEERING LTD  
9 GARLAND ST  
Matamata, New Zealand 3440  
PHONE 07 888 8635

Copyright in this drawing resides in:  
**JUNO ENGINEERING LTD**

All drawings remain the property of Juno Engineering Ltd, they may not be copied or reproduced without permission of the company.

PROJECT

SHEET DESCRIPTION

DRAWN BY

CRP

DRAWN

14/09/2022

APPROX. WEIGHT

958.36

DESCRIPTION

022147-50-02 E box lid

DWG No.

SURFACE AREA

SHEET 1 / 1

SIZ A3

MR