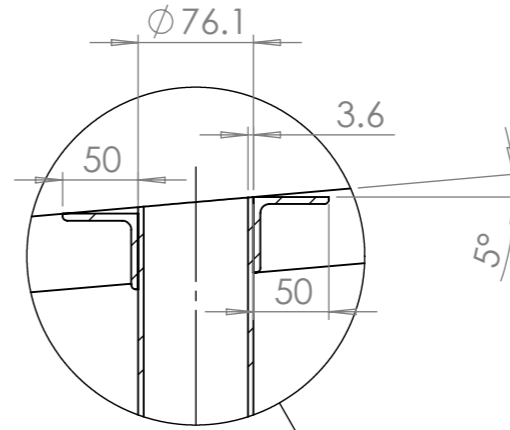
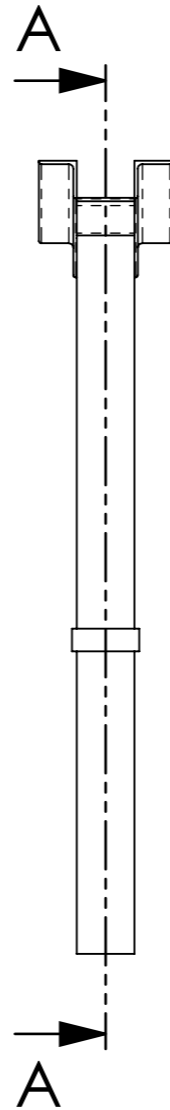
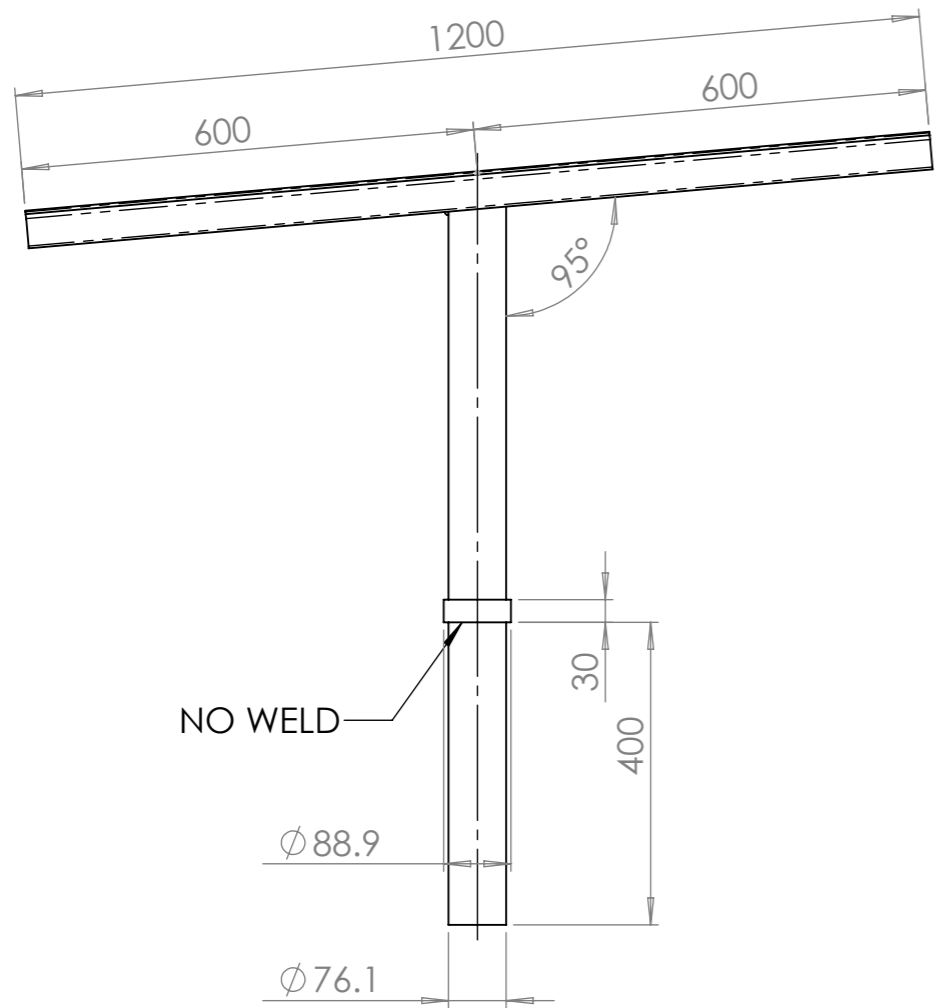
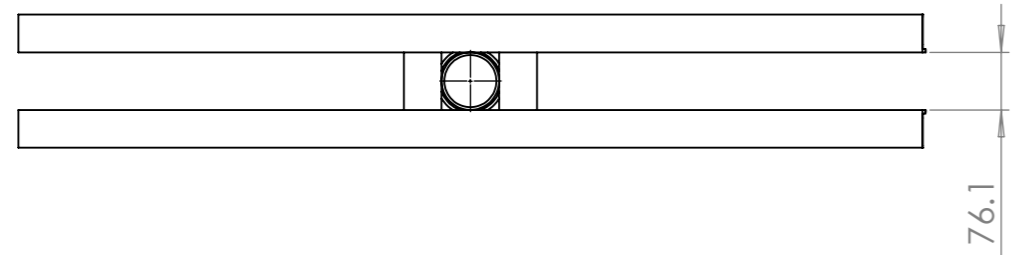
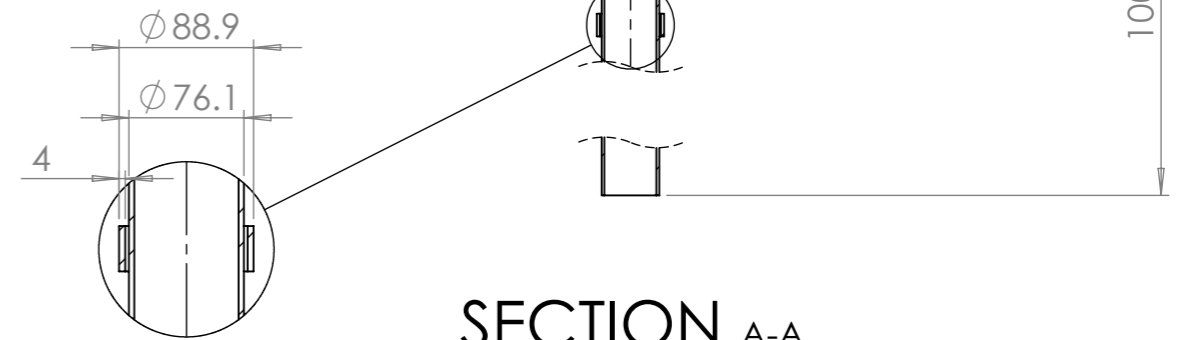


ITEM NO.	QTY.	DESCRIPTION	LENGTH
1	1	76.10x3.60 CHS	1000
2	1	88.90x4 CHS	30
3	2	50x50x5 EA	1200
4	2	50x50x5 EA	76.1

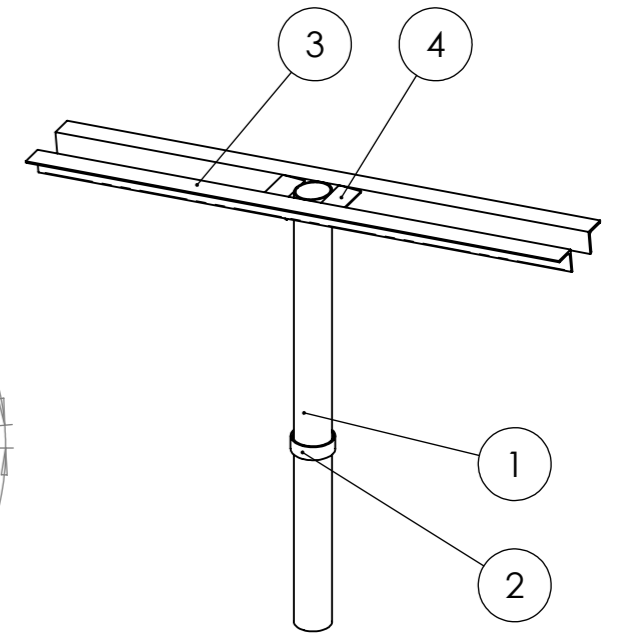


DETAIL B  
SCALE 1 : 5



SECTION A-A

DETAIL C  
SCALE 1 : 5



JUNO ENGINEERING LTD  
9 GARLAND ST  
Matamata, New Zealand 3440  
PHONE 07 888 8635

ALL DIMENSIONS IN mm  
DO NOT SCALE  
DEBUR SHARP EDGES  
IF IN DOUBT ASK

Copyright in this drawing resides in:  
**JUNO ENGINEERING LTD**

All drawings remain the property of Juno Engineering Ltd, they may not be copied or reproduced without permission of the company.

PROJECT

SHEET DESCRIPTION

DRAWN BY

CRP

DRAWN

15/09/2022

APPROX. WEIGHT

15436.93

DESCRIPTION

022147-60-01 S panel mount\_fixed

DWG No.

SURFACE AREA

SHEET 1 / 1

SIZE A3

MR