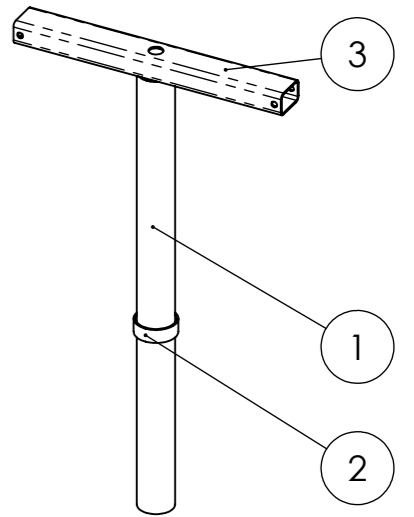
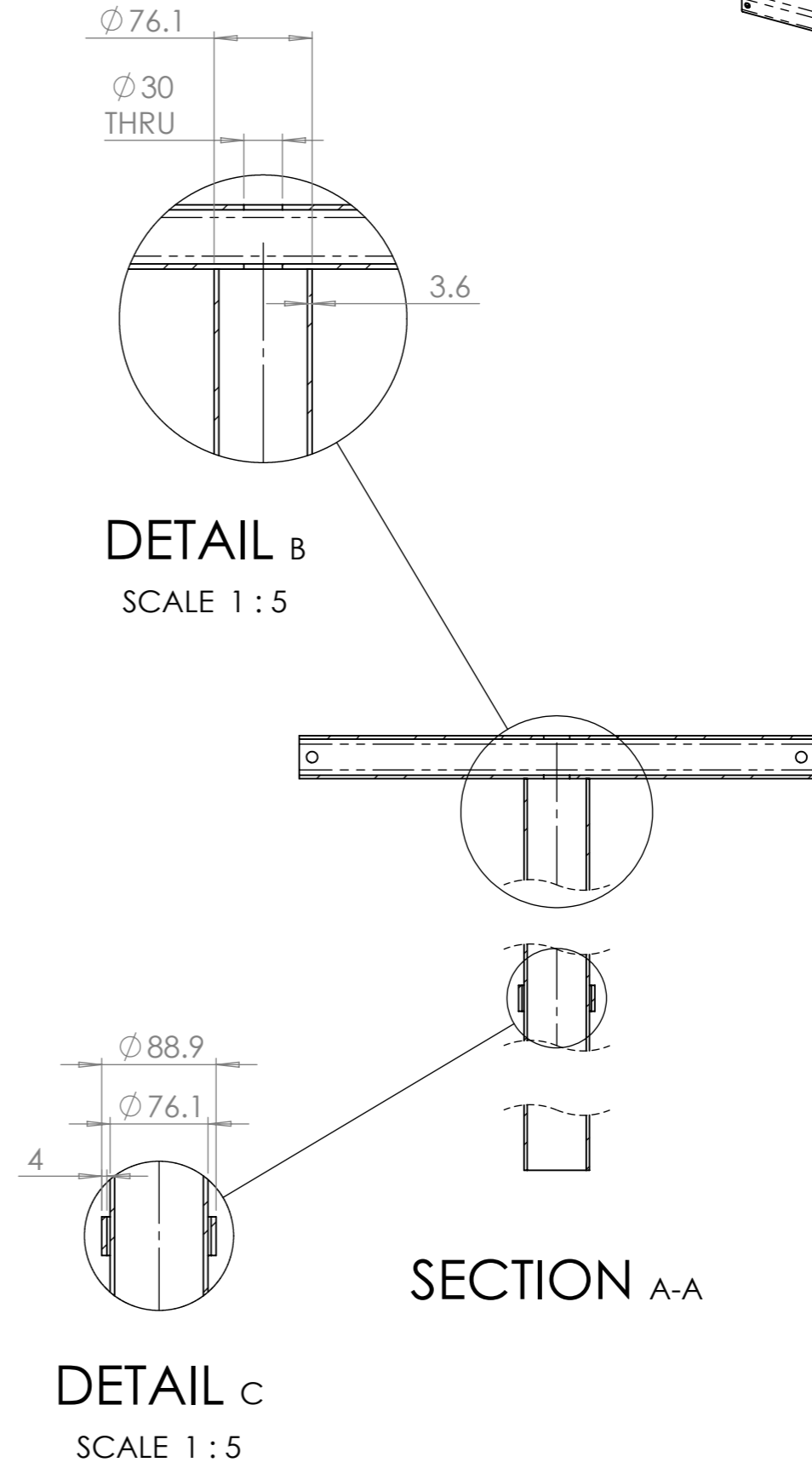
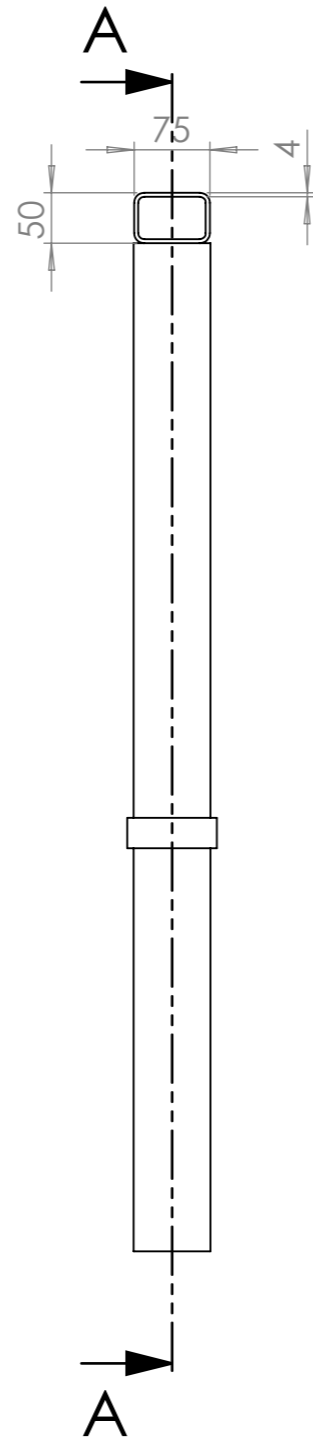
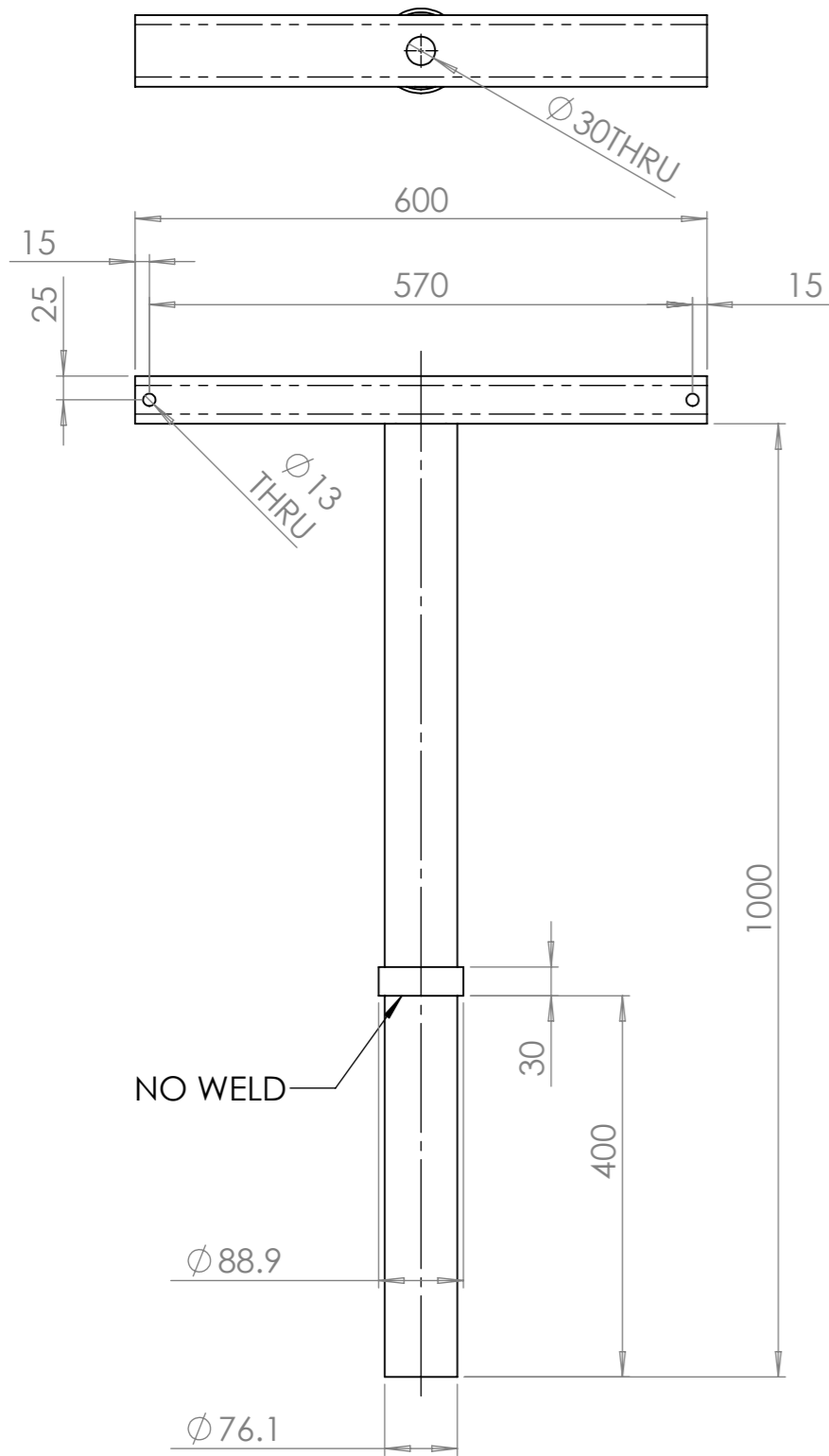


ITEM NO.	QTY.	DESCRIPTION	LENGTH
1	1	76.10x3.60 CHS	1000
2	1	88.90x4 CHS	30
3	1	75x50x4 RHS	600



JUNO ENGINEERING LTD
9 GARLAND ST
Matamata, New Zealand 3440
PHONE 07 888 8635

Copyright in this drawing resides in:
JUNO ENGINEERING LTD

ALL DIMENSIONS IN mm
DO NOT SCALE
DEBUR SHARP EDGES
IF IN DOUBT ASK



All drawings remain the property of Juno Engineering Ltd, they may not be copied or reproduced without permission of the company.

PROJECT

SHEET DESCRIPTION

DRAWN BY

CRP

DRAWN

15/09/2022

APPROX. WEIGHT

10708.00

DESCRIPTION

022147-61-01 S panel mount_adj

DWG No.

SURFACE AREA

SHEET 1 / 1

SIZE A3

MR