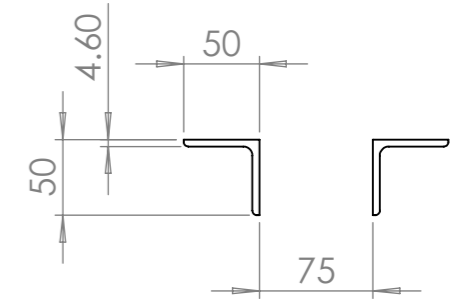
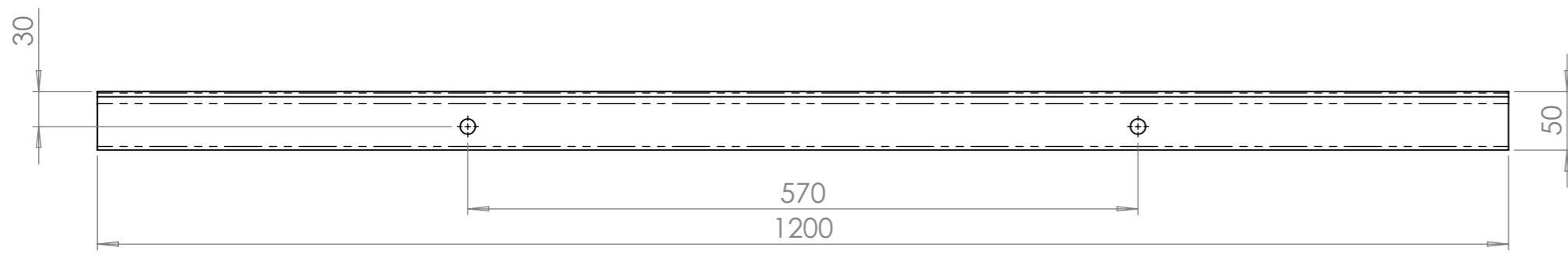
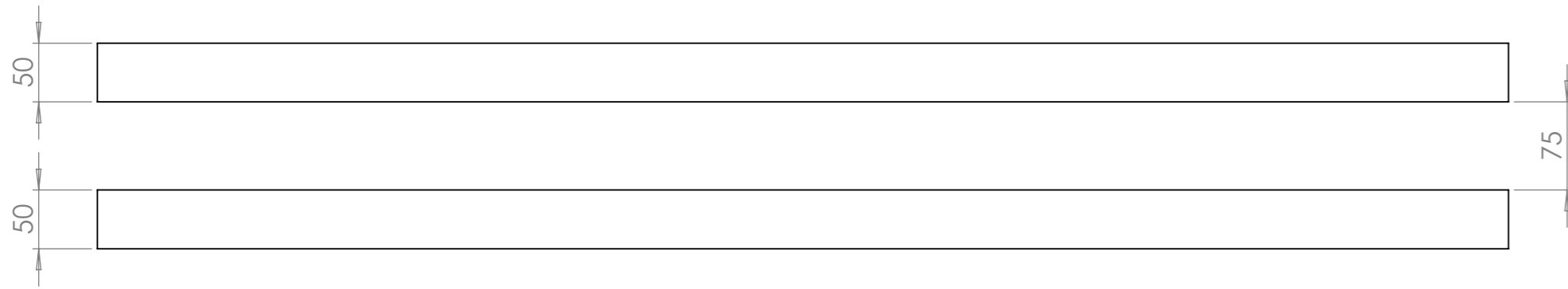
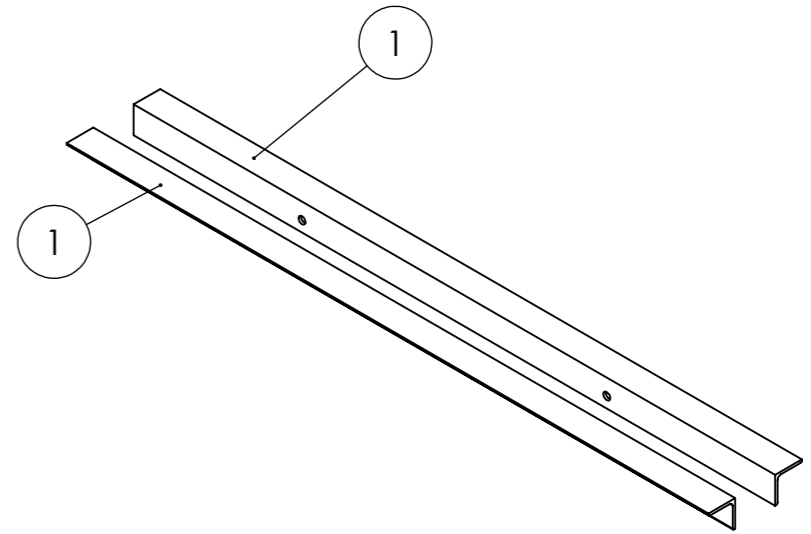


ITEM NO.	QTY.	DESCRIPTION	LENGTH
1	2	50x50x5 EA	1200



JUNO ENGINEERING LTD  
 9 GARLAND ST  
 Matamata, New Zealand 3440  
 PHONE 07 888 8635

Copyright in this drawing resides in:  
**JUNO ENGINEERING LTD**

ALL DIMENSIONS IN mm  
 DO NOT SCALE  
 DEBUR SHARP EDGES  
 IF IN DOUBT ASK



All drawings remain the property of Juno Engineering Ltd, they may not be copied or reproduced without permission of the company.

PROJECT

SHEET DESCRIPTION

DRAWN BY

CRP

DRAWN

15/09/2022

APPROX. WEIGHT

8268.35

DESCRIPTION

022147-61-02 S panel Tilt frame

DWG No.

SURFACE AREA

SHEET 1 / 1

SIZE A3

MR