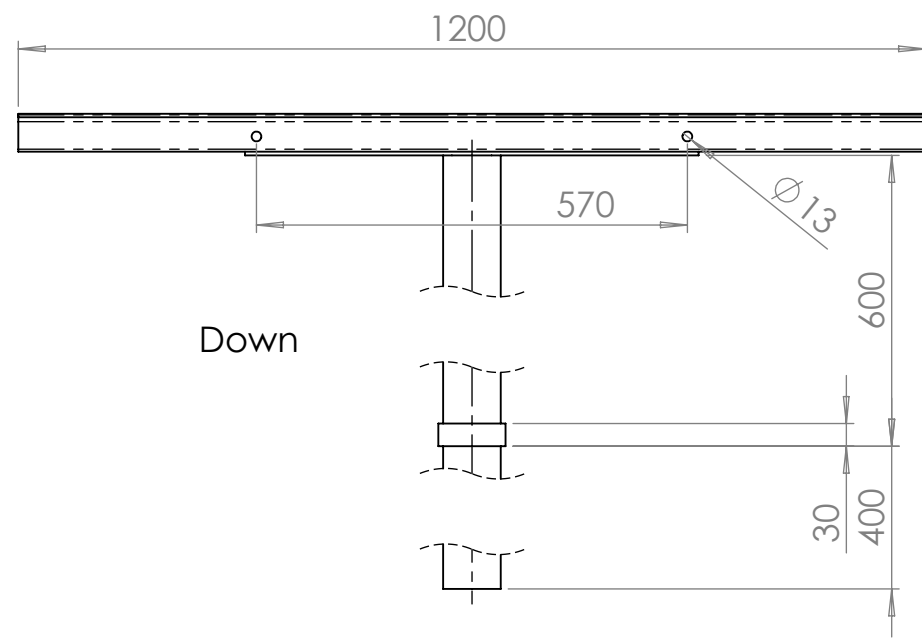
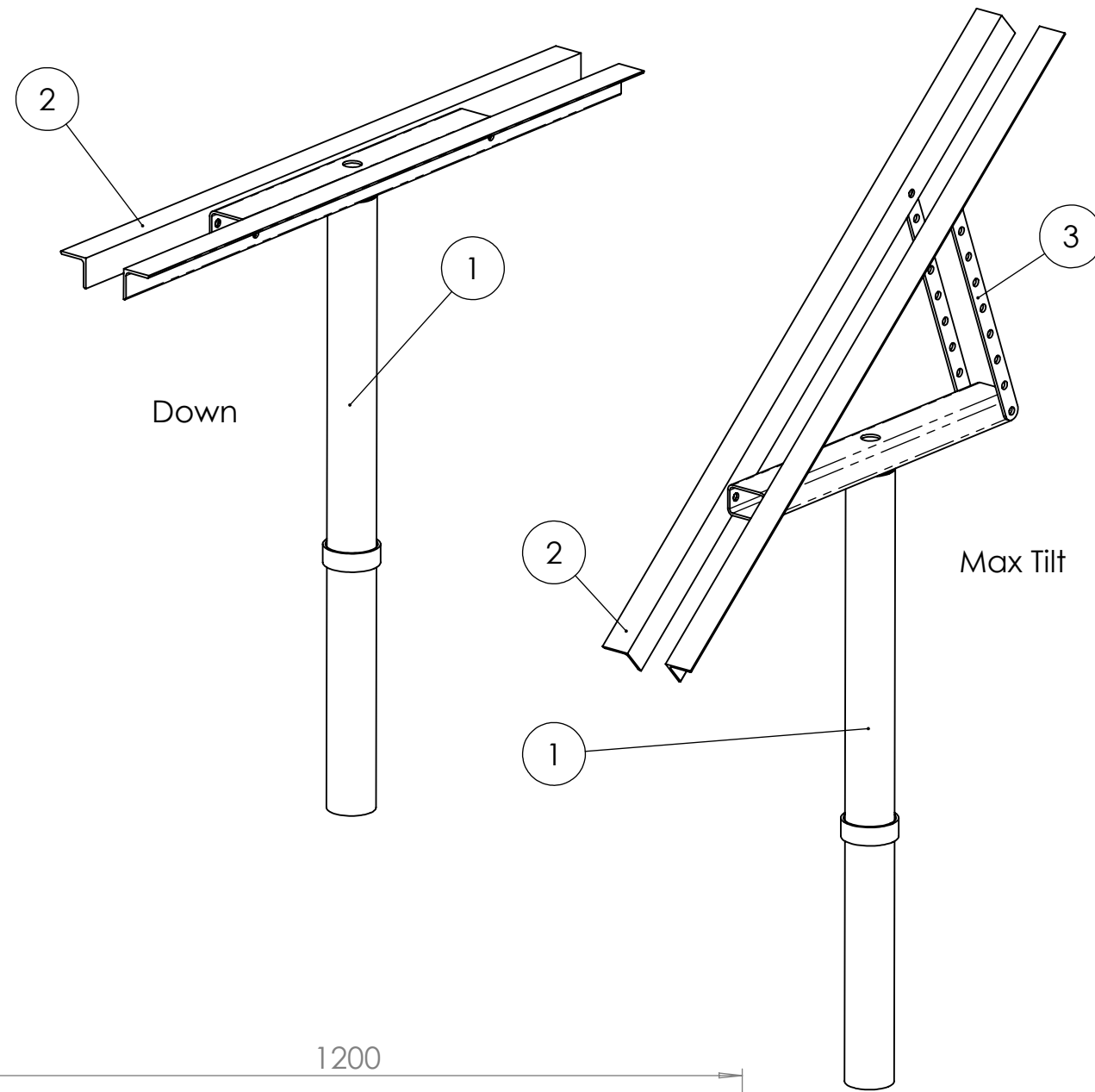
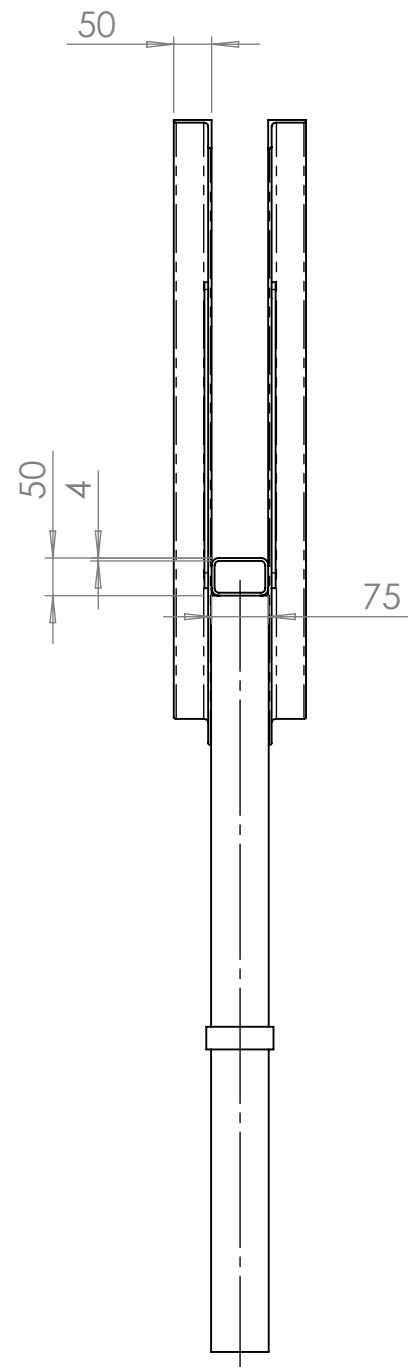
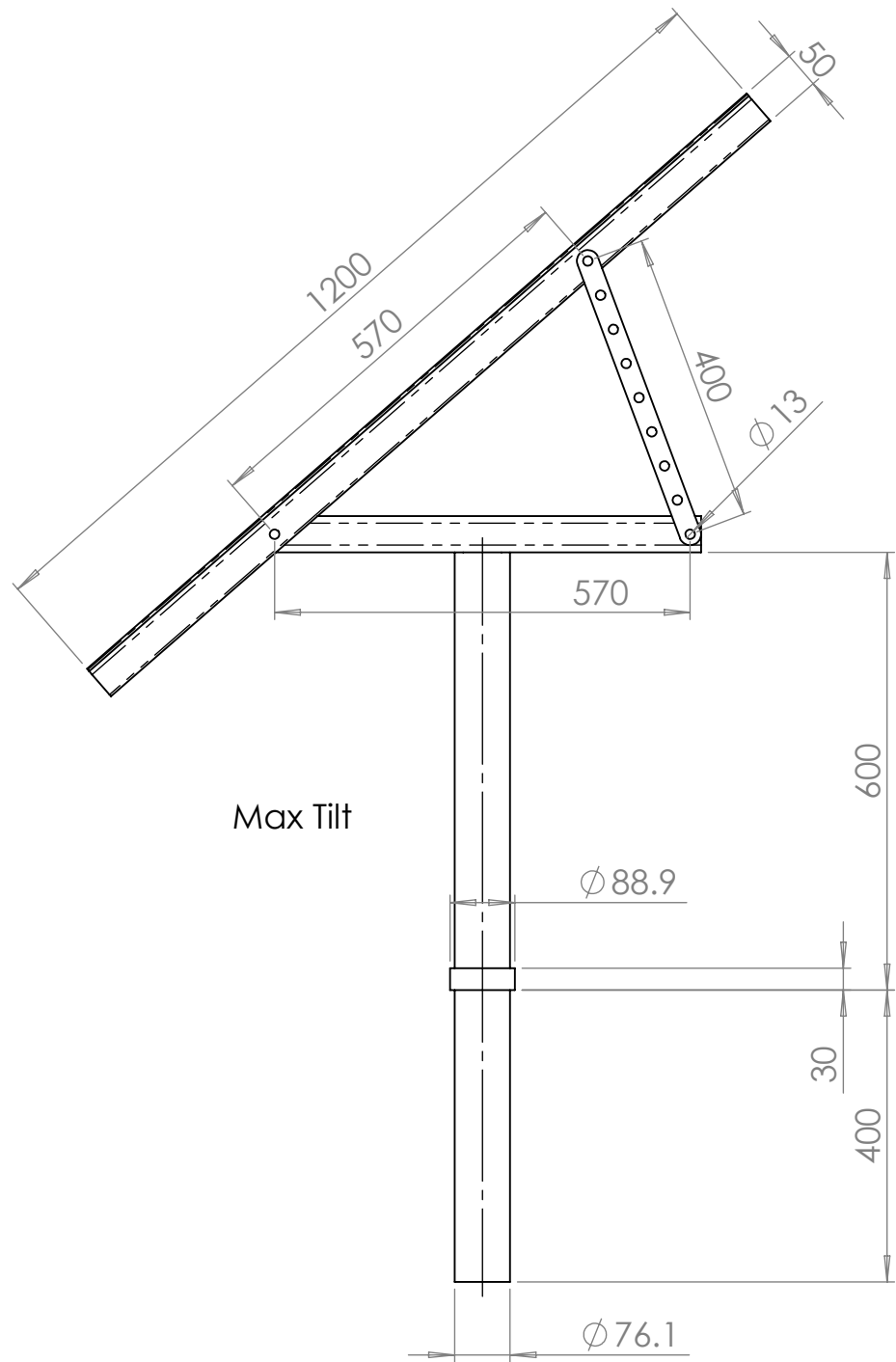


ITEM NO.	PART NUMBER	DESCRIPTION	QTY.
1	022147-61-01 S panel mount_adj		1
2	022147-61-02 S panel Tilt frame		1
3	022147-61-03 S panel linkage		2



JUNO ENGINEERING LTD
9 GARLAND ST
Matamata, New Zealand 3440
PHONE 07 888 8635

Copyright in this drawing resides in:
JUNO ENGINEERING LTD

ALL DIMENSIONS IN mm
DO NOT SCALE
DEBUR SHARP EDGES
IF IN DOUBT ASK



All drawings remain the property of Juno Engineering Ltd, they may not be copied or reproduced without permission of the company.

PROJECT

SHEET DESCRIPTION

DRAWN BY

CRP

DRAWN

15/09/2022

APPROX. WEIGHT

DESCRIPTION

022147-61 Solar panel mount_ADJ

DWG No.

SURFACE AREA

SHEET 1 / 1

SIZ A3

MR