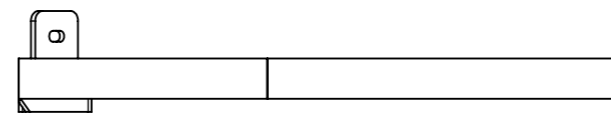
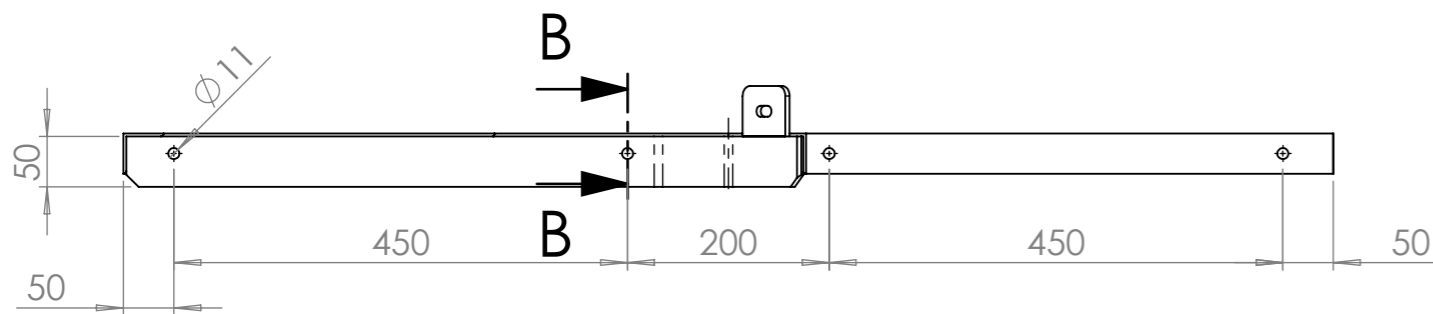
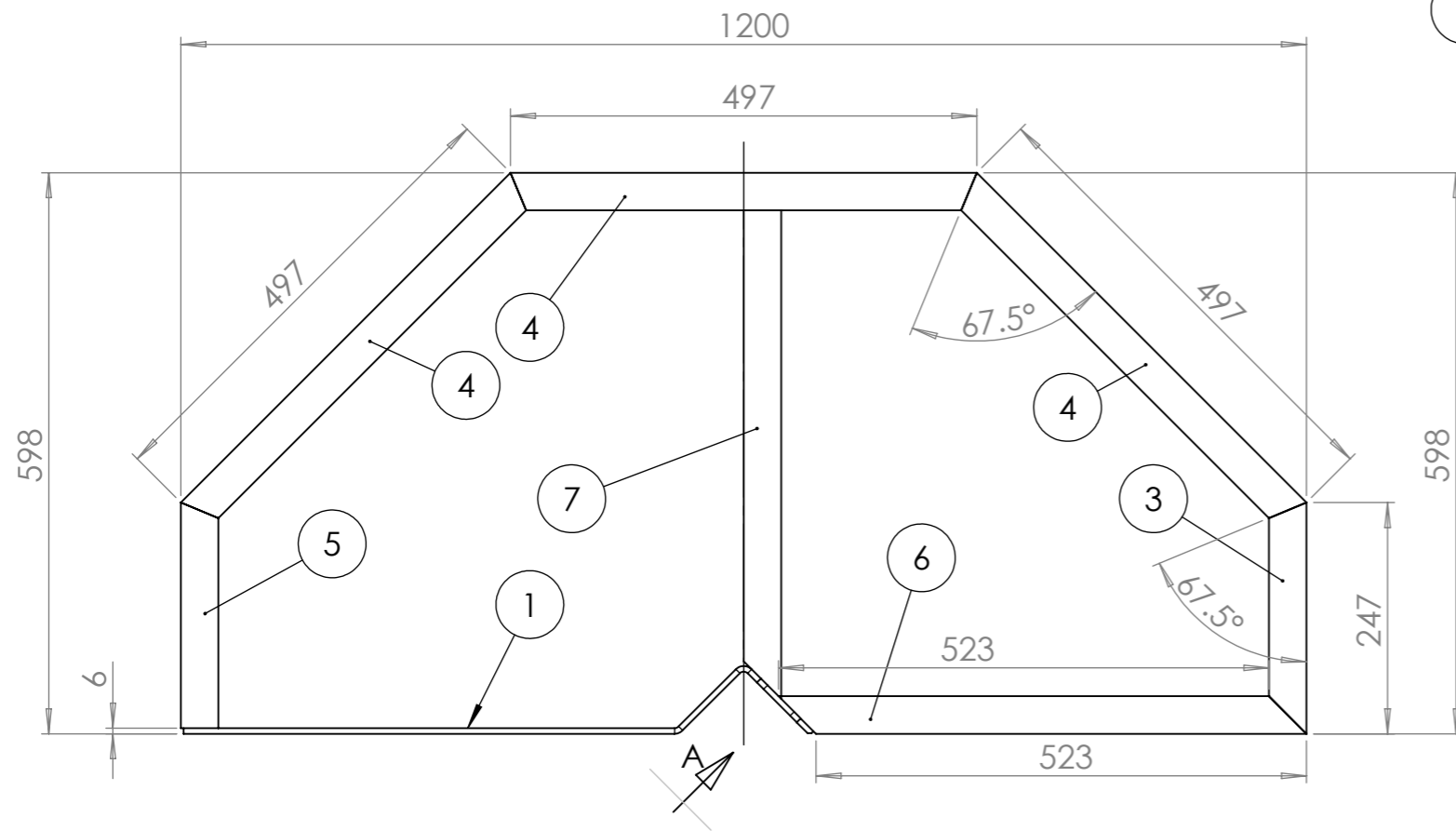
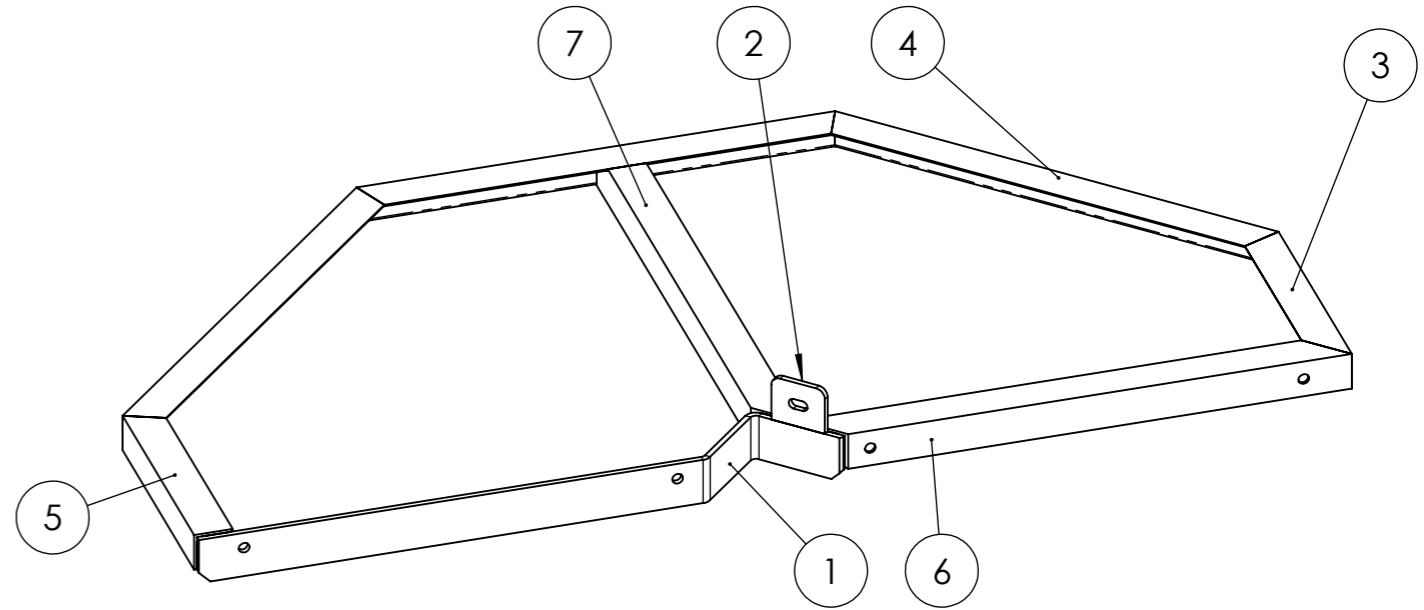


ITEM NO.	QTY.	DESCRIPTION	LENGTH
1	1	Bolting Flange	
2	1	Bolting Lug	
3	1	40x40x3 EA	246.53
4	3	40x40x3 EA	497.06
5	1	40x40x3 EA	240.53
6	1	40x40x3 EA	562.8
7	1	40x40x3 EA	559.56



JUNO ENGINEERING LTD
9 GARLAND ST
Matamata, New Zealand 3440
PHONE 07 888 8635

ALL DIMENSIONS IN mm
DO NOT SCALE
DEBUR SHARP EDGES
IF IN DOUBT ASK

Copyright in this drawing resides in:
JUNO ENGINEERING LTD

All drawings remain the property of Juno Engineering Ltd, they may not be copied or reproduced without permission of the company.

PROJECT

SHEET DESCRIPTION

DRAWN BY

CRP

DRAWN

16/09/2022

APPROX. WEIGHT

7177.25

DESCRIPTION

022147 Table half frame

DWG No.

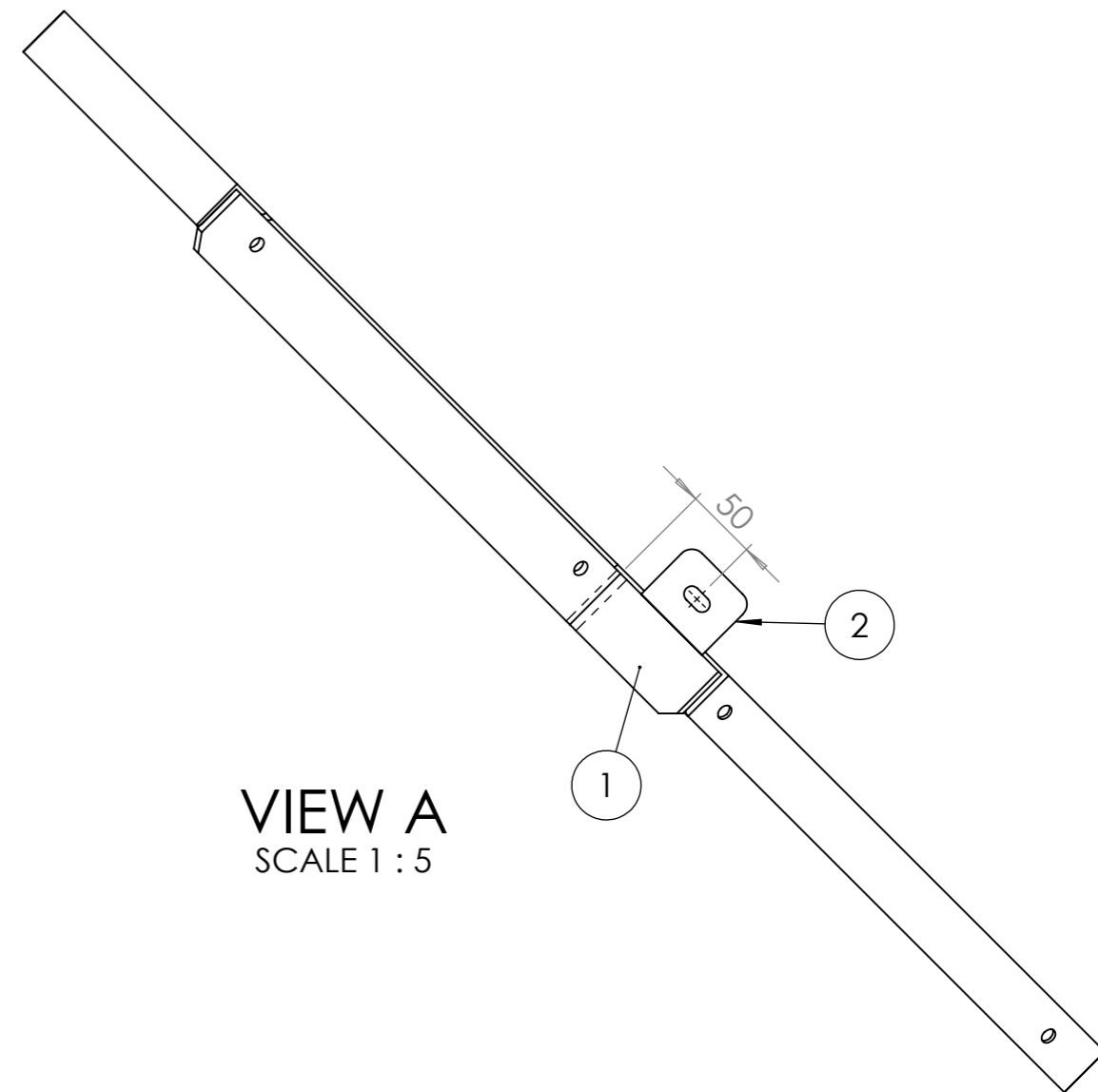
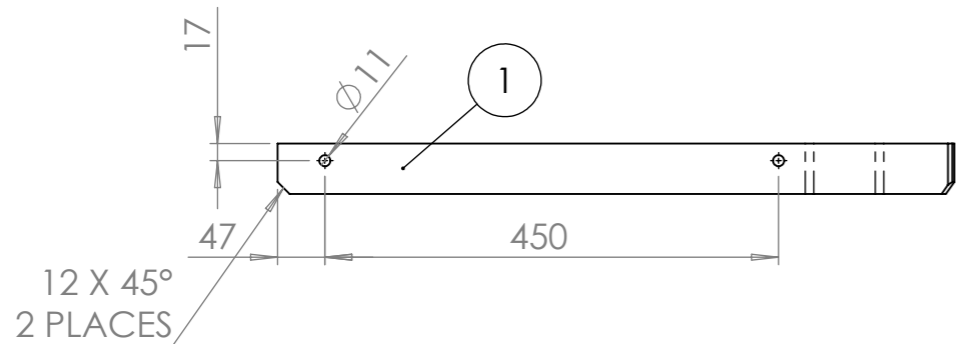
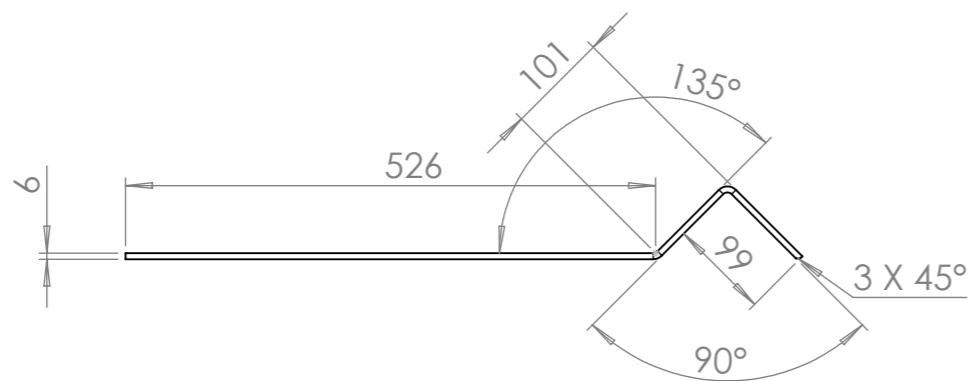
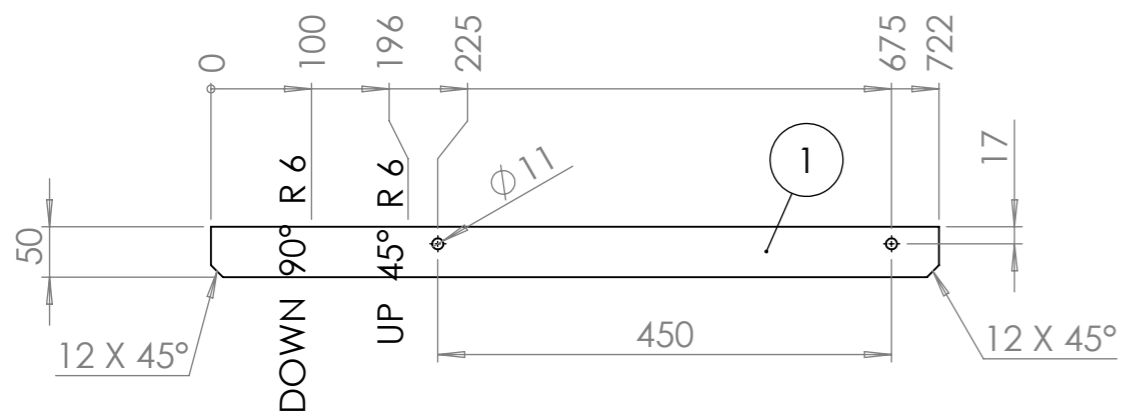
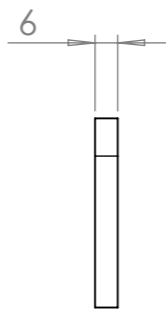
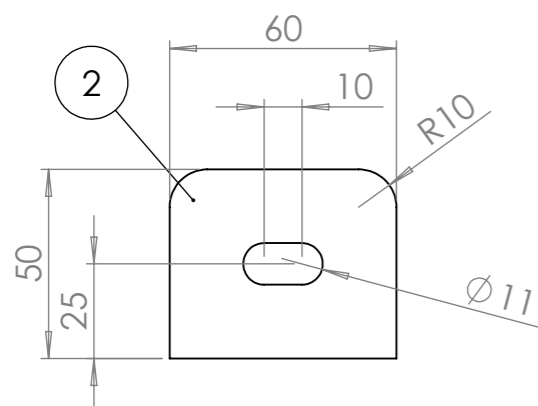
SURFACE AREA

SHEET 1 / 2

SIZE A3

MR

A B C D E F



VIEW A
SCALE 1 : 5



SECTION B-B
SCALE 1 : 5



JUNO ENGINEERING LTD
8 GARLAND ST
Matamata, New Zealand 3440
PHONE 07 888 8635

ALL DIMENSIONS IN mm
DO NOT SCALE
DEBUR SHARP EDGES
IF IN DOUBT ASK



Copyright in this drawing resides in:
JUNO ENGINEERING LTD

All drawings remain the property of Juno Engineering Ltd, they may not be copied or reproduced without permission of the company.

PROJECT

SHEET DESCRIPTION

DRAWN BY

CRP

DRAWN

16/09/2022

APPROX. WEIGHT

7177.25

DESCRIPTION

022147 Table half frame

DWG No.

SURFACE AREA

SHEET 2 / 2

SIZE A3

MR

1
2
3
4
5
6