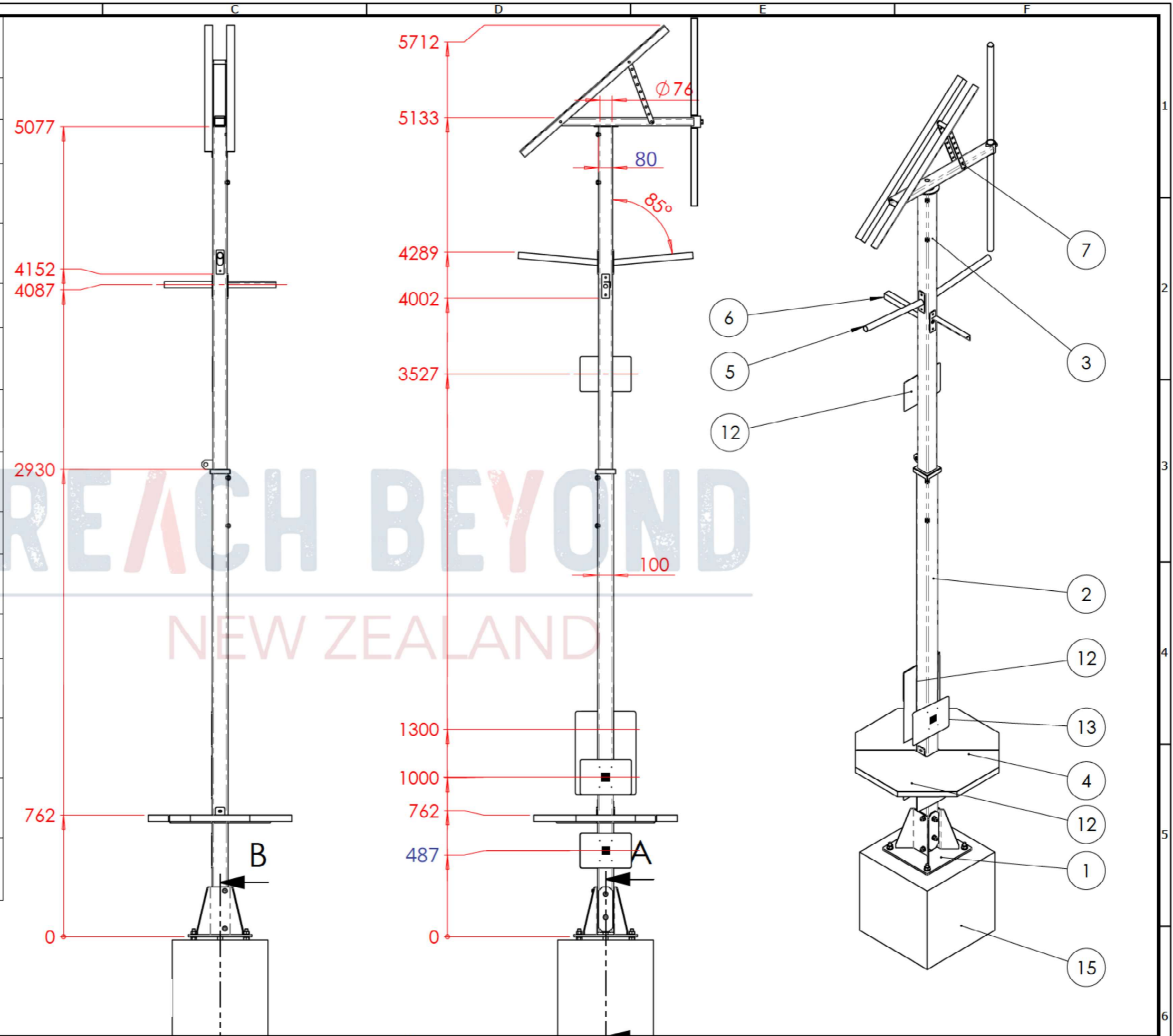


ITEM NO.	SW-File Name (File Name)	SW-Configuration Name (Configuration Name)	QTY.
1	022147-20-01 Base	Default<As Machined>	1
2	022147-25-01 Main pole	Default<As Machined>	1
3	022147-30-01 Pole extension	Default<As Machined>	1
4	022147-15-01 Table half frame	Cover<As Machined>	2
5	022147-40-02 Lamp mount	Default<As Machined>	2
6	022147-40-01 Speaker mount	Default<As Machined>	2
7	022147-61 Solar panel mount_ADJ	Max Tilt	1
8	M16 ZP flat washer	Default	8
9	ZP M16 Bolt	M16 X 150	4
10	M20 Galv HVY washer	Default	8
11	M16 Nyloc ZP nut	M16	4
12	022147-50-10 E box mount PL	Default	3
13	022147-50-11 UBS box mount PL	Default	1
14	M20 Galv Nut	M20	8
15	022147-10 Foundation	Default	1



ALL DIMENSIONS IN mm
DO NOT SCALE
DESUR SHARP EDGES
IF IN DOUBT ASK

REACH BEYOND
NEW ZEALAND

PROJECT
Mission Pole - Version 03.01 - Revision 02

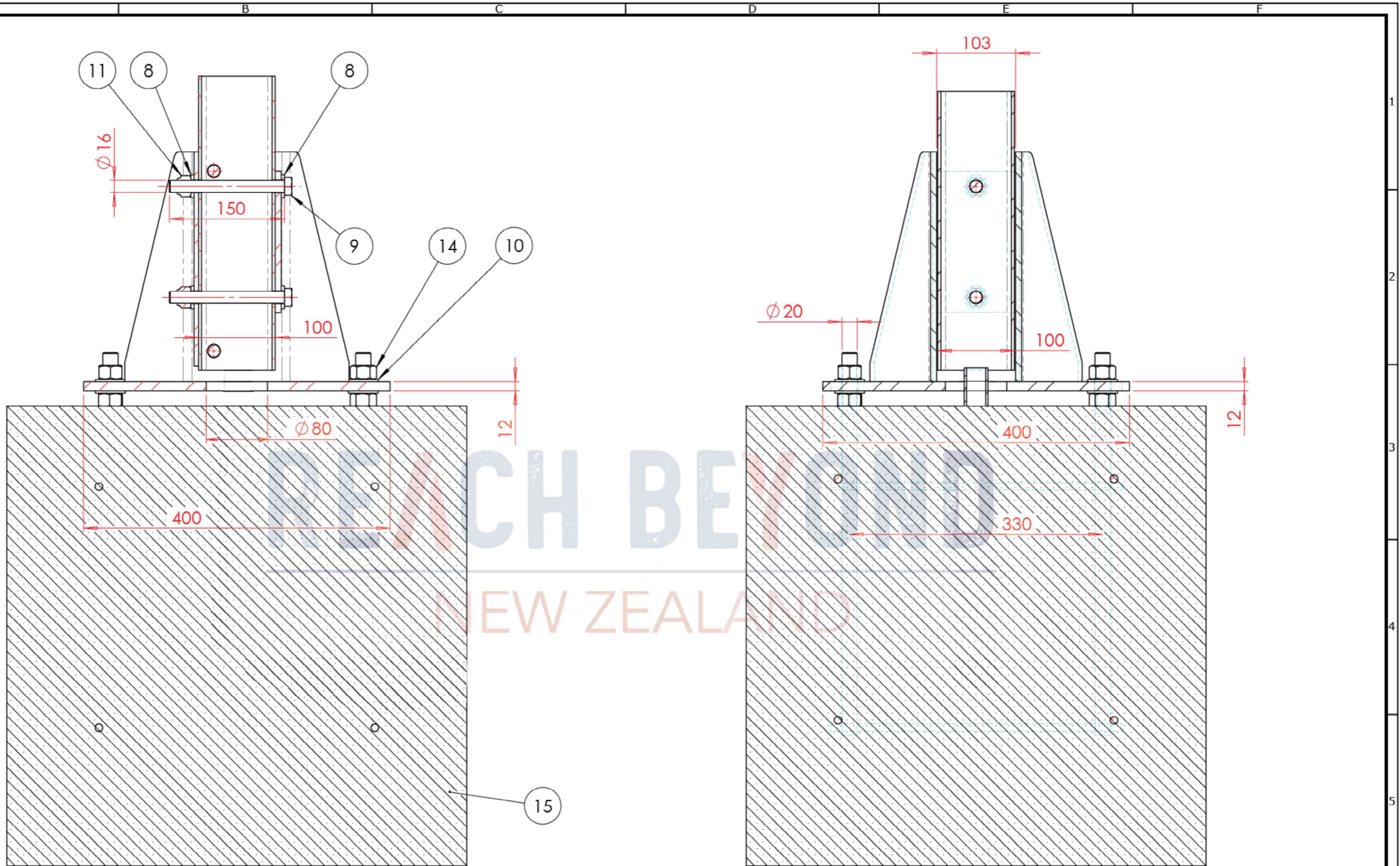
SHEET DESCRIPTION
-

DRAWN BY CRP & JR DRAWN 10 MAR 2026 APPROX. WEIGHT

DESCRIPTION
Pole Overview

DWG No.

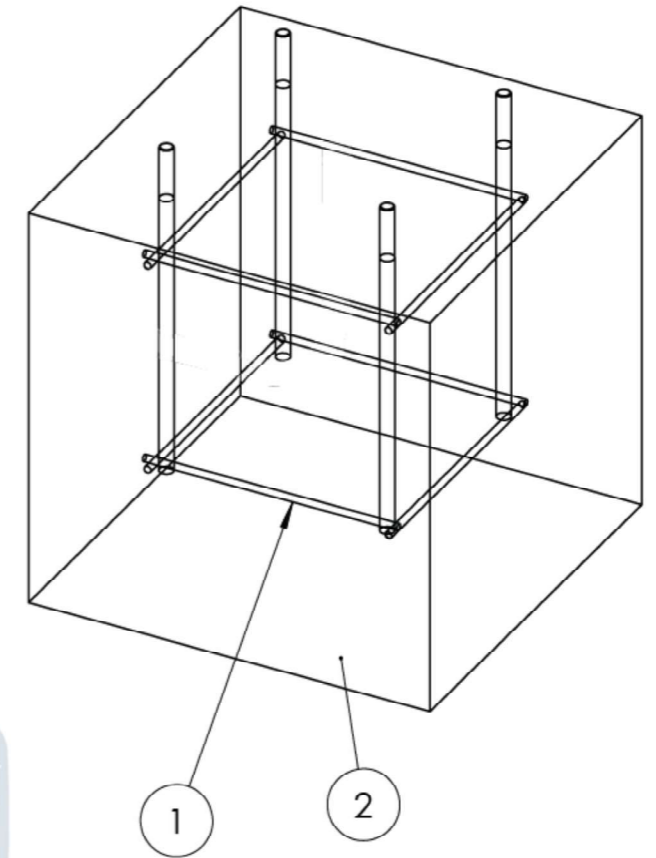
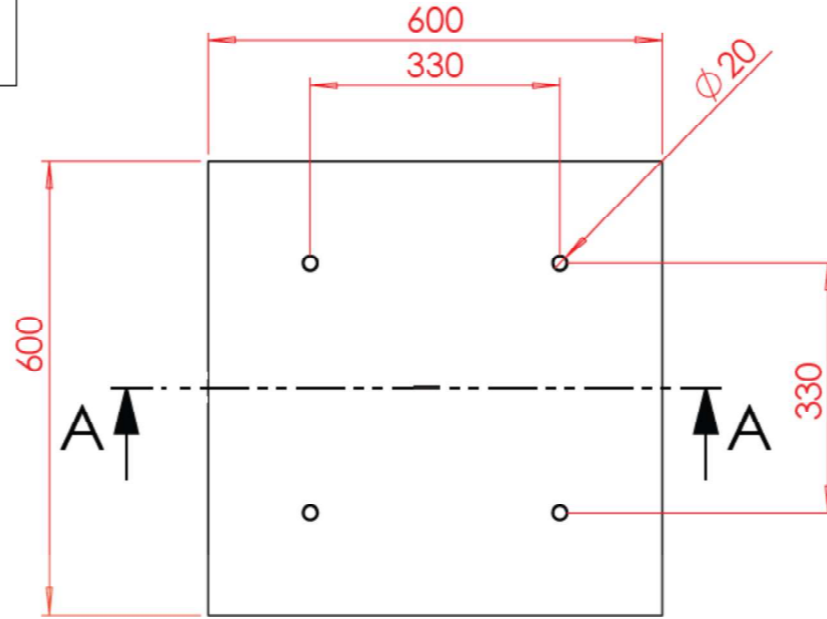
SURFACE AREA SHEET 1 / 2 SIZE A3 MR



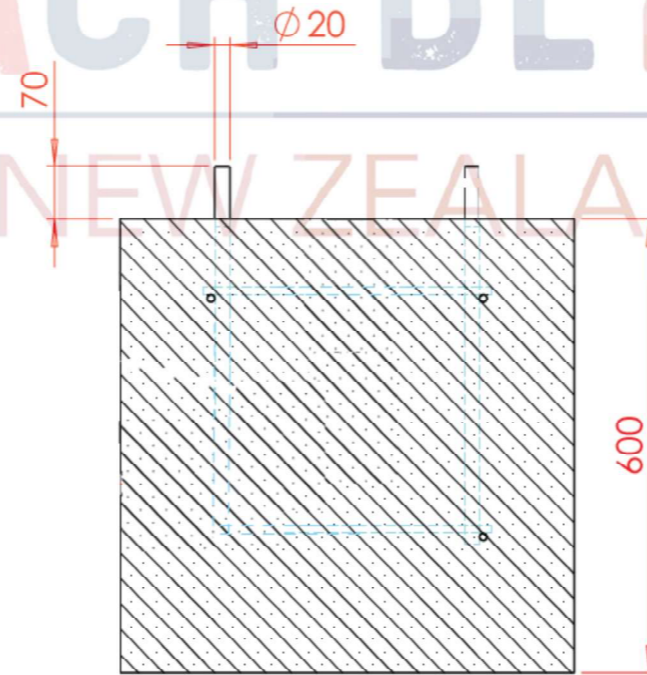
SECTION A-A
SCALE 1 : 5

SECTION B-B
SCALE 1 : 5

ITEM NO.	SW-File Name(File Name)	SW-Configuration Name(Configuration Name)	QTY.
1	022147-10-01 Foundation cage	Default	1
2	022147-10-02 Concrete foundation	Default	1



REACH BEYOND
NEW ZEALAND



NOTE: Increase concrete foundation size as required.
CAGE REMAINS SAME SIZE.

SECTION A-A

ALL DIMENSIONS IN mm
DO NOT SCALE
DESUR SHARP EDGES
IF IN DOUBT ASK



REACH BEYOND
NEW ZEALAND

PROJECT
Mission Pole - Version 03.01

SHEET DESCRIPTION

-

DRAWN BY

CRP

DRAWN

19/05/2025

APPROX. WEIGHT

DESCRIPTION

Foundation

DWG No.

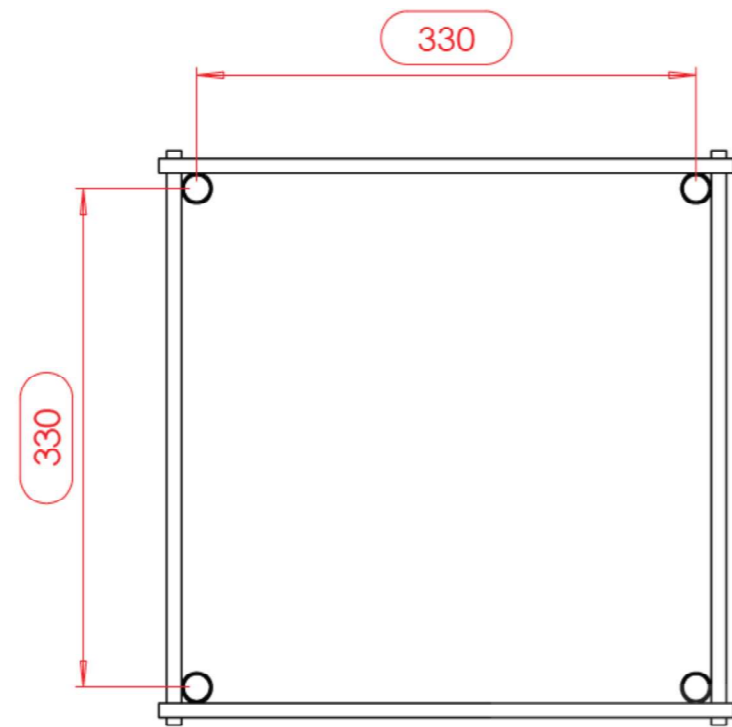
SURFACE AREA

SHEET 1 / 1

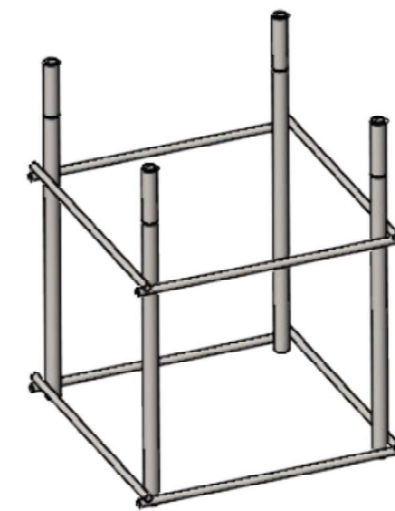
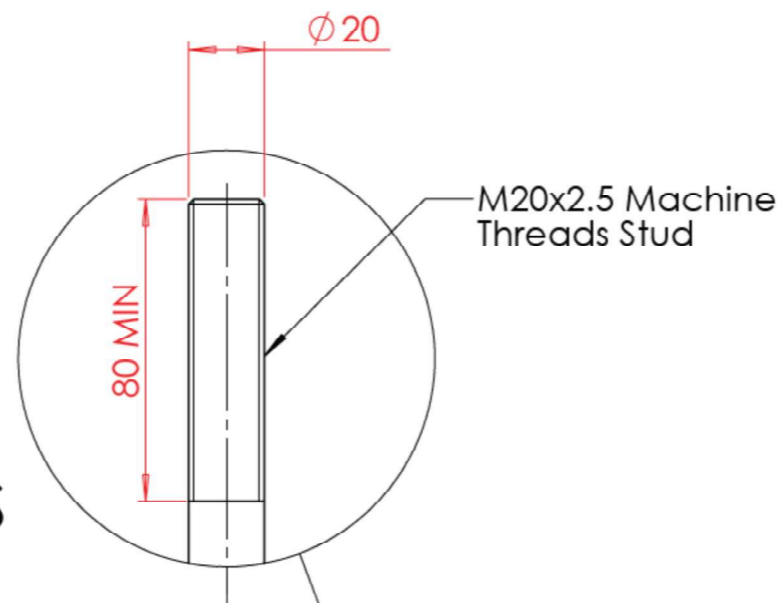
SIZE A3

MR

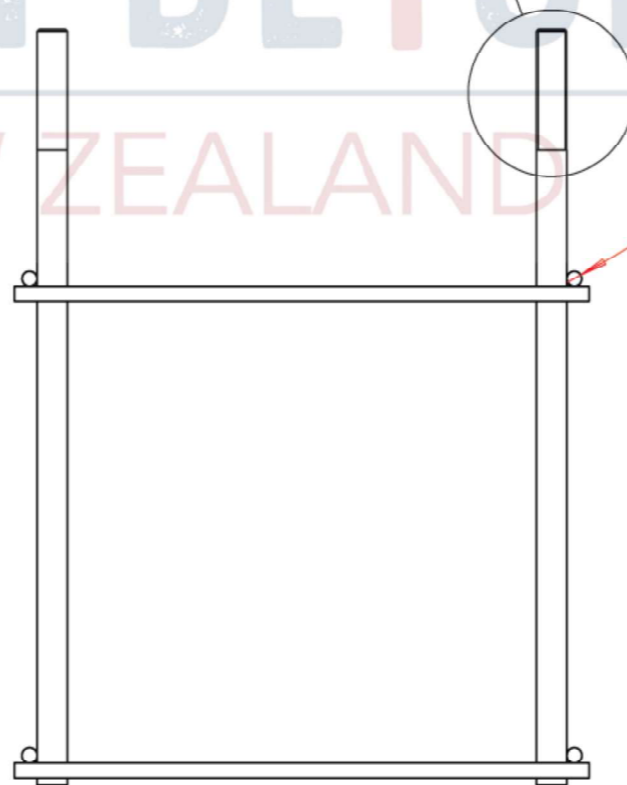
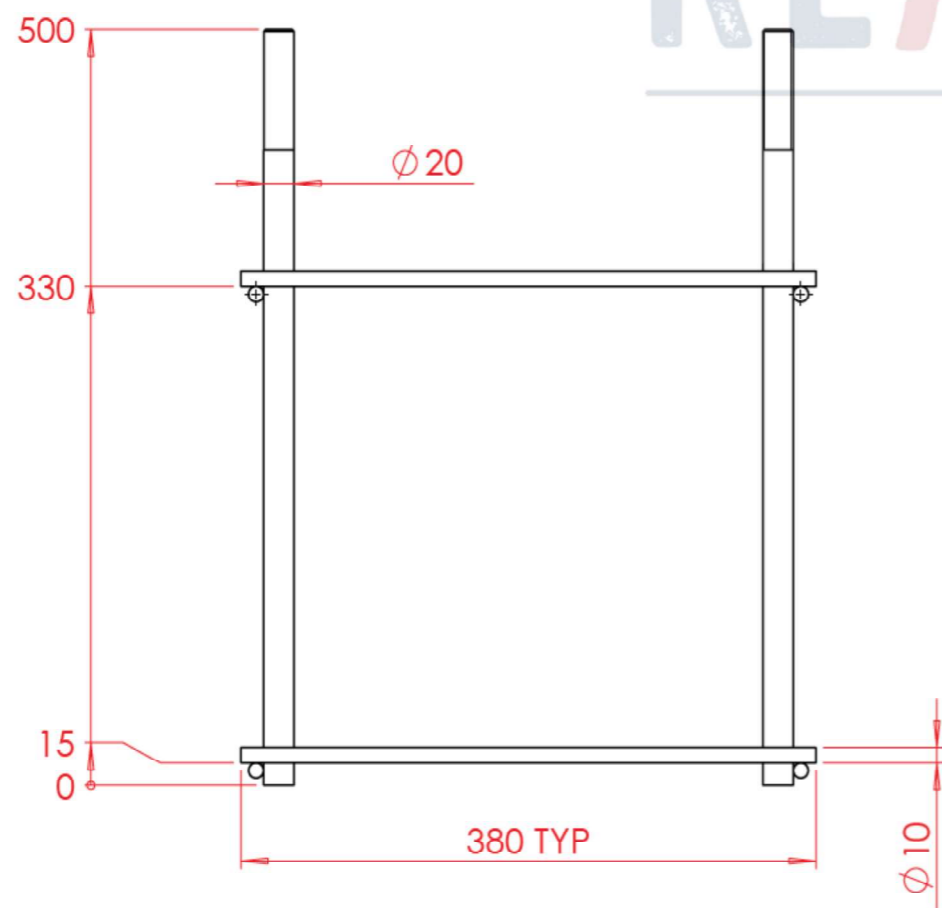
A B C D E F



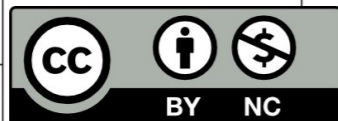
DETAIL A
SCALE 1 : 2
4 PLACES



REACH BEYOND
NEW ZEALAND



ALL DIMENSIONS IN mm
DO NOT SCALE
DESUR SHARP EDGES
IF IN DOUBT ASK



REACH BEYOND
NEW ZEALAND

PROJECT
Mission Pole - Version 03.01

SHEET DESCRIPTION

-

DRAWN BY CRP DRAWN 20 JAN 2026 APPROX. WEIGHT

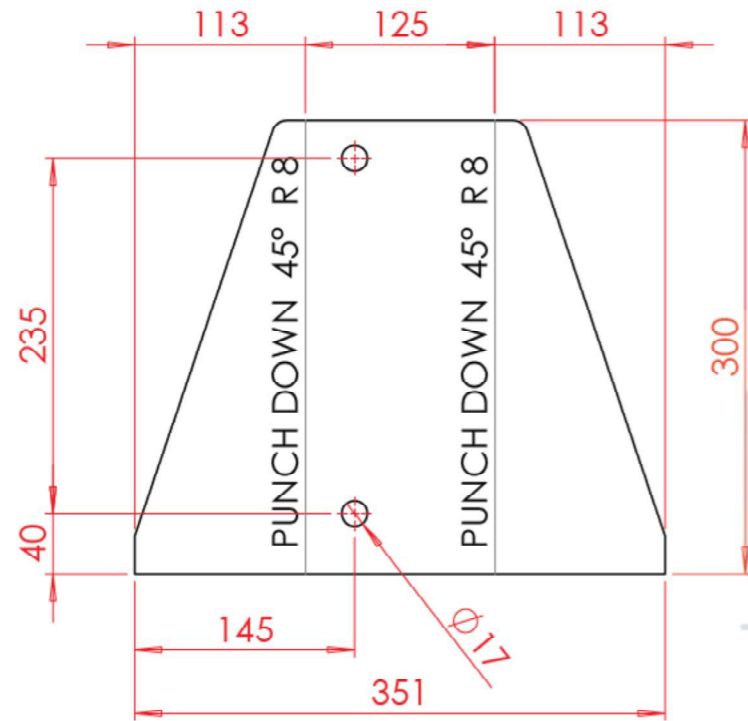
DESCRIPTION
Foundation cage

DWG No.

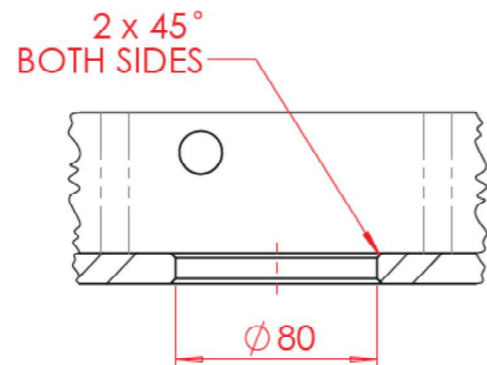
SURFACE AREA SHEET 1 / 1 SIZE A3 MR

ITEM NO.	QTY.	DESCRIPTION
1	1	Base Plate
2	1	Side PL - RH
3	1	Side PL - LH
4	1	Clamp plate

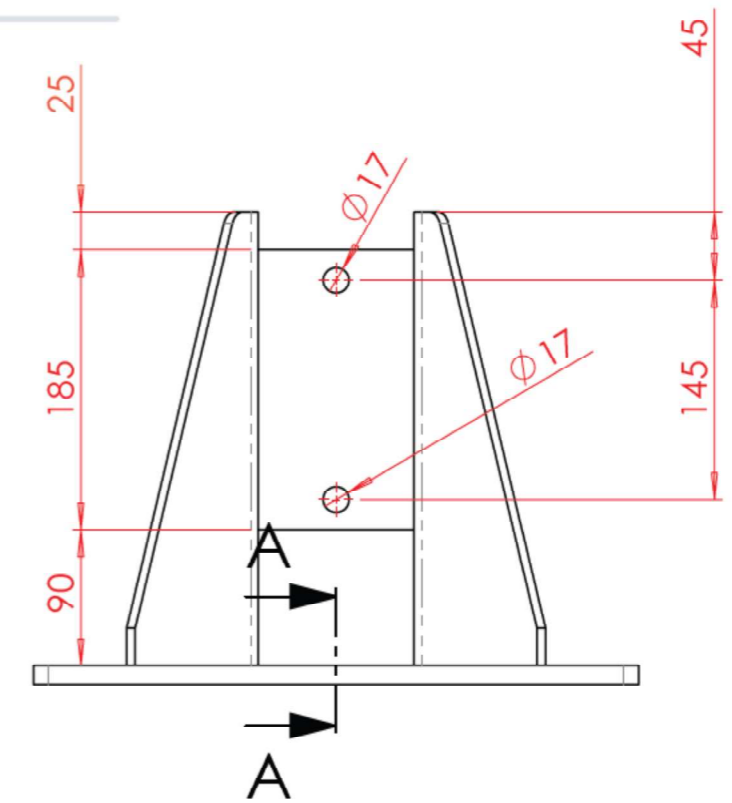
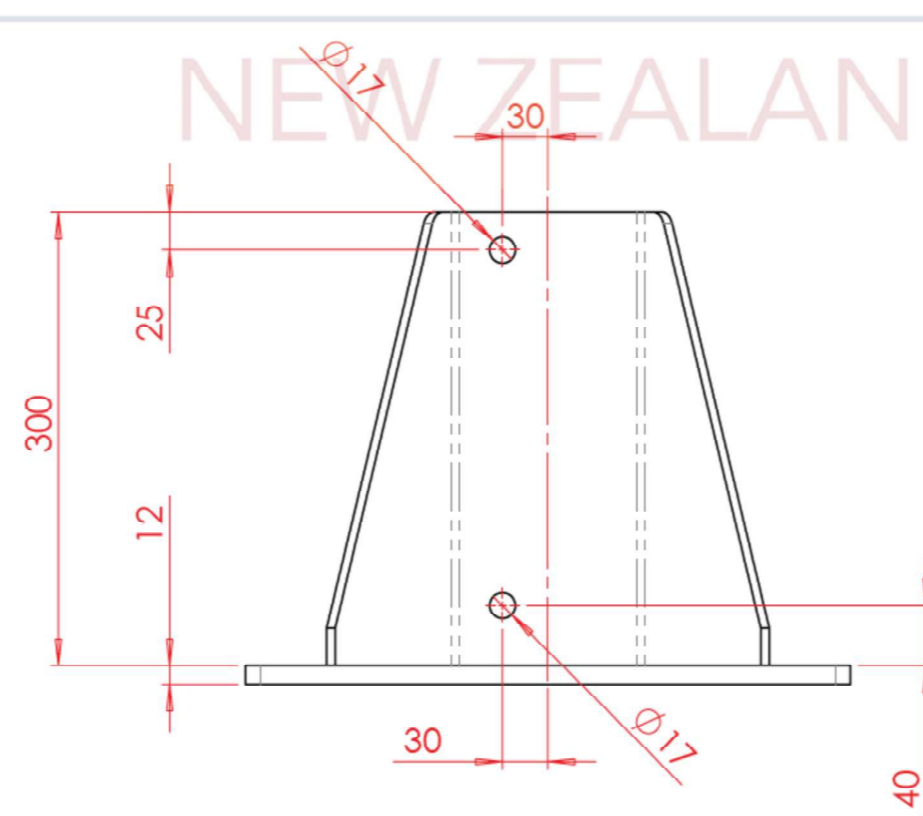
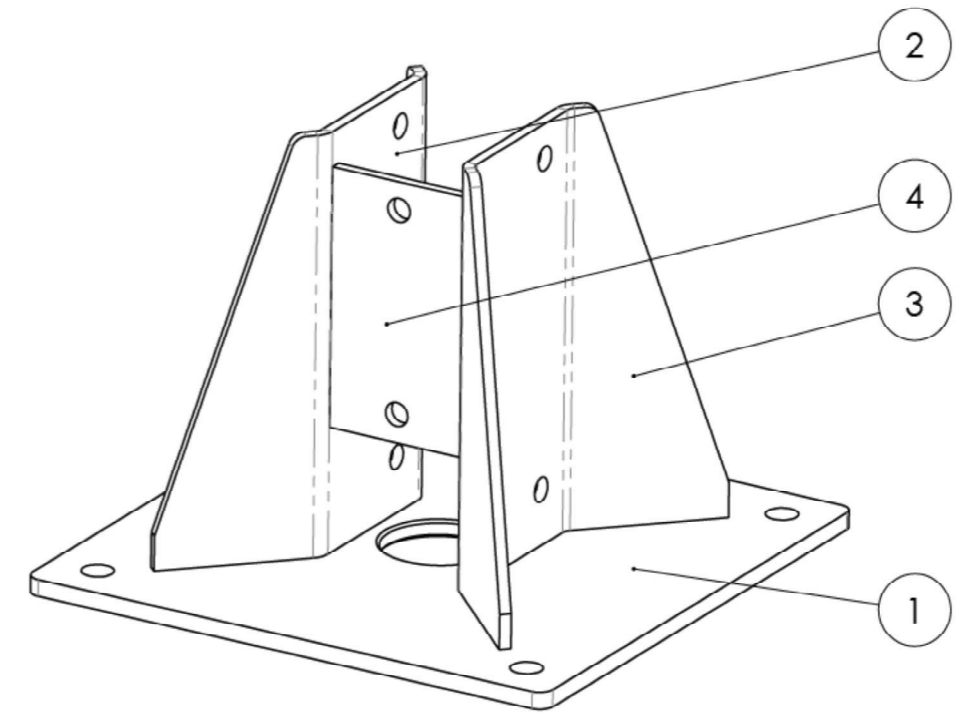
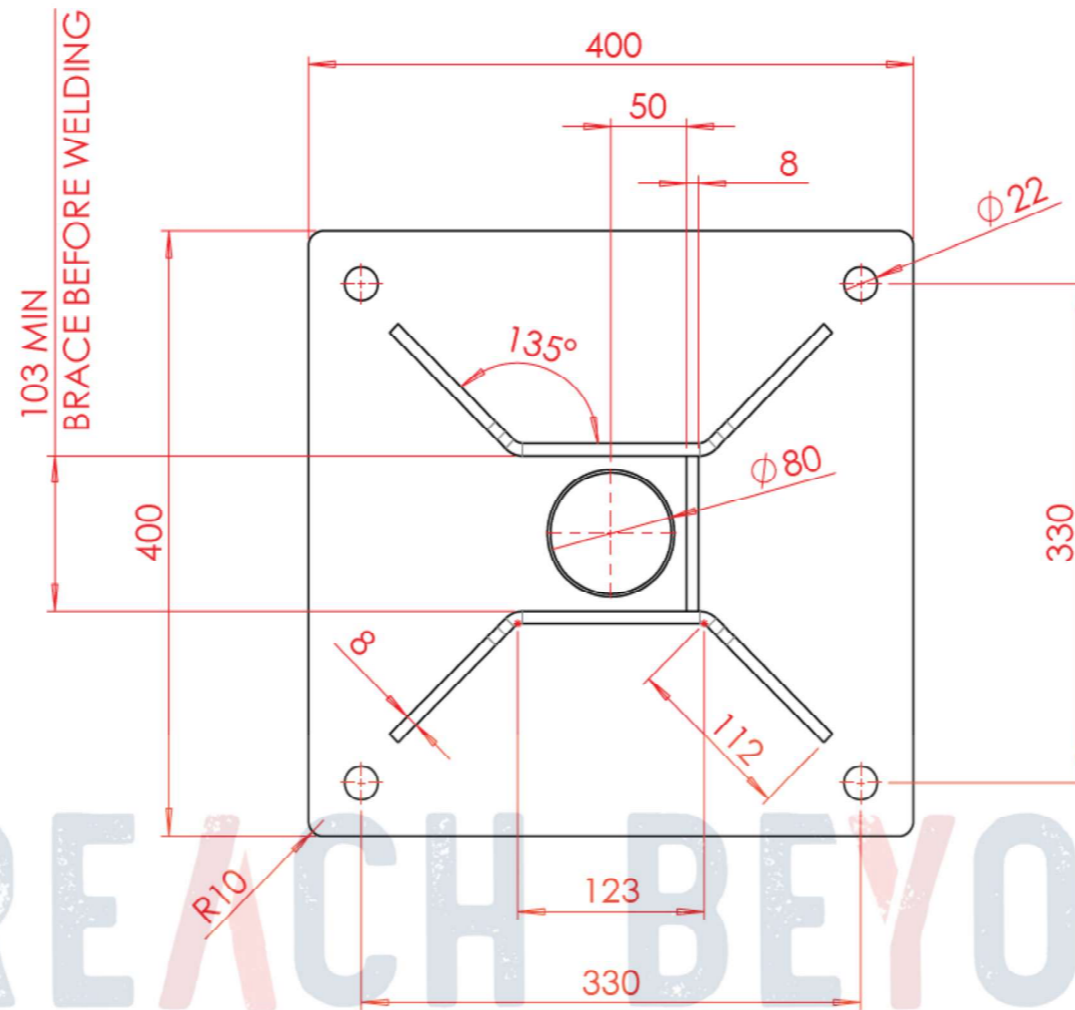
NOTE: ALL WELDS 5mm
FILLET WELD ALL ROUND



PRESS 1 OFF AS SHOWN
PRESS 1 OFF OTHER HAND



SECTION A-A
SCALE 1 : 3



ALL DIMENSIONS IN mm
DO NOT SCALE
DESUR SHARP EDGES
IF IN DOUBT ASK



REACH BEYOND
NEW ZEALAND

PROJECT
Mission Pole - Version 03.01

SHEET DESCRIPTION

-

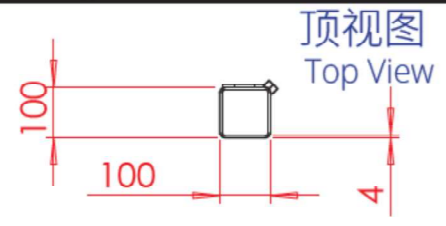
DRAWN BY CRP DRAWN 20 JAN 2026 APPROX. WEIGHT

DESCRIPTION
Tilt Base

DWG No.

SURFACE AREA

SHEET 1 / 1 SIZE A3 MR



Notes: Remove all sharp edges. Changes are in blue.
 笔记: 去除所有尖锐边缘。所做的更改以蓝色标出。

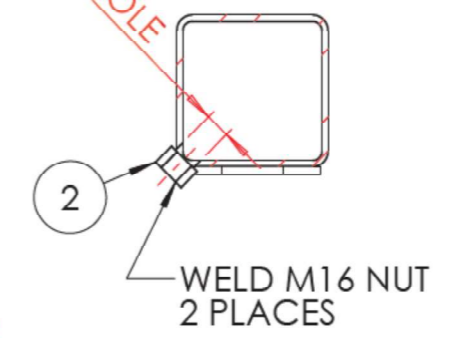
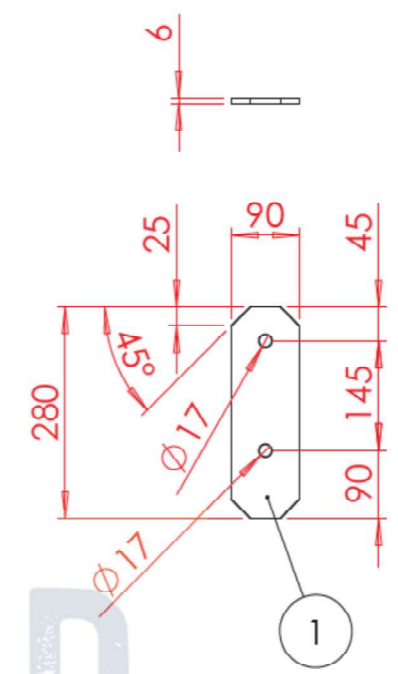
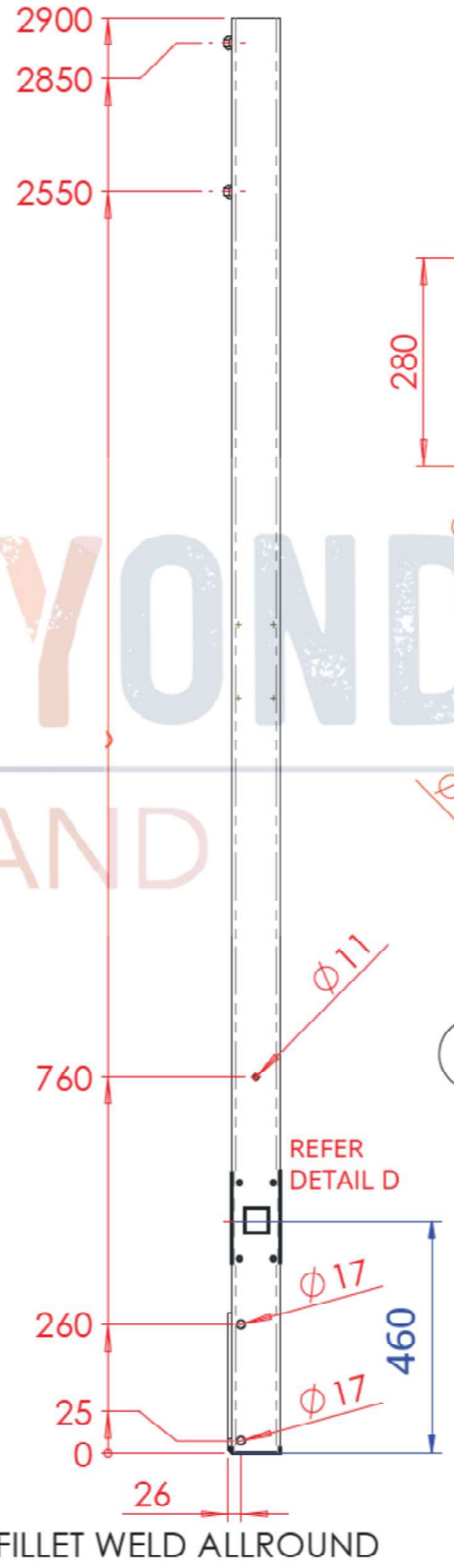
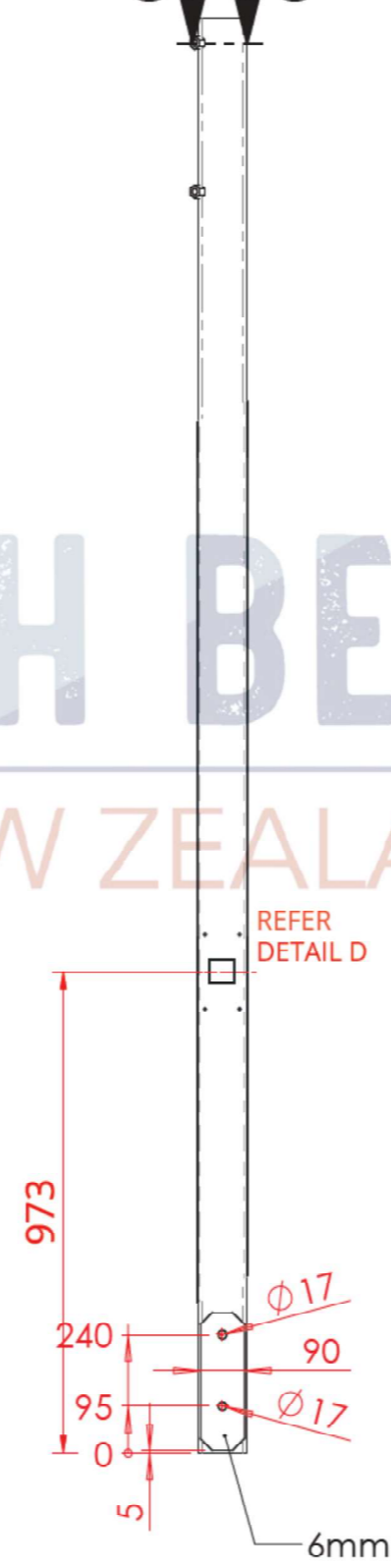
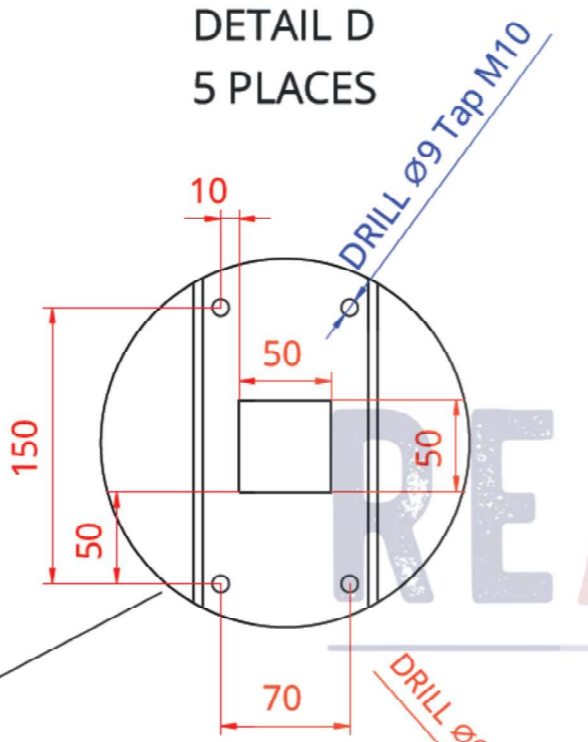
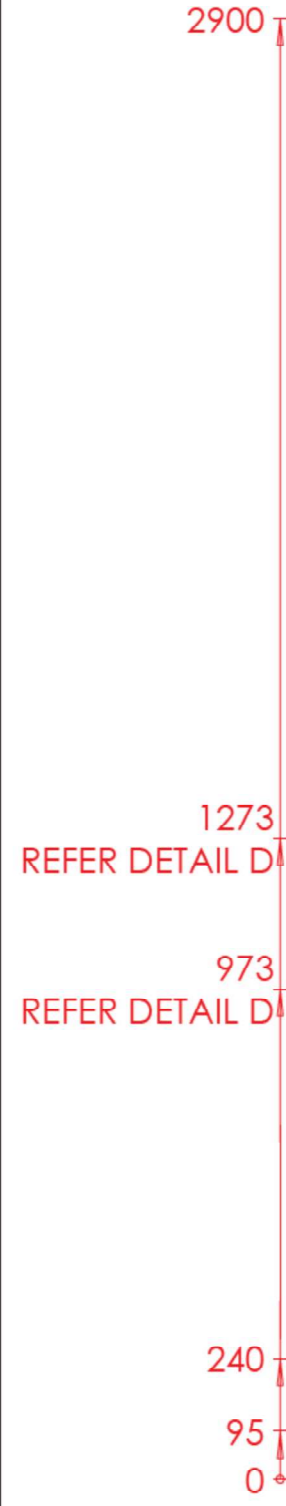
ITEM NO.	QTY.	DESCRIPTION	LENGTH
1	1	Anti-crush plate	
2	2	M16 nut	
3	1	100x100x4 RHS	2900

后视图 Back View

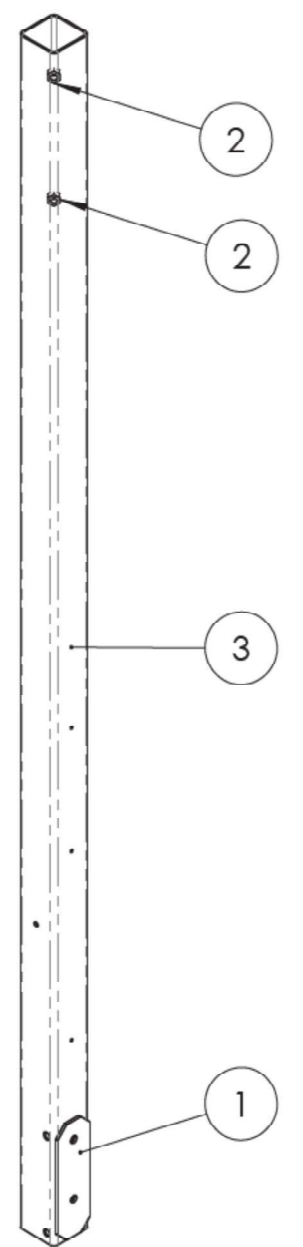
左视图 Left View

正面视图 Front View

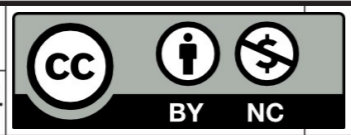
右视图 Right View



SECTION C-C
SCALE 1:5



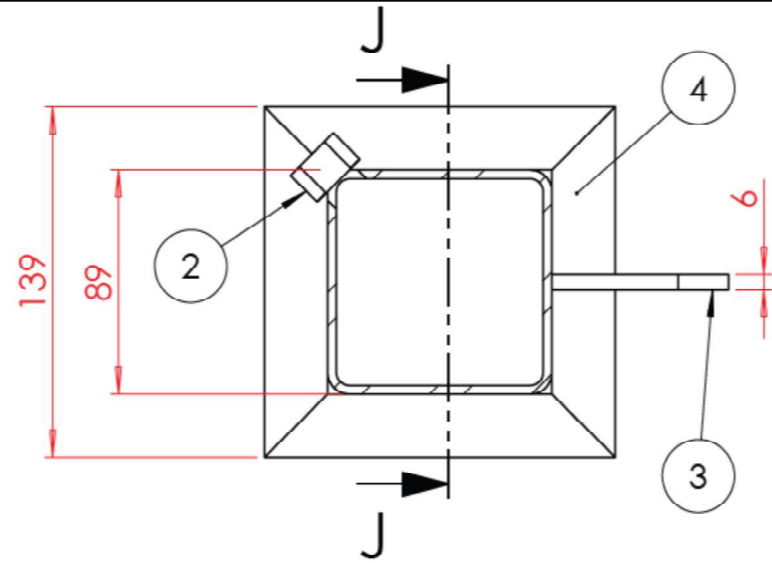
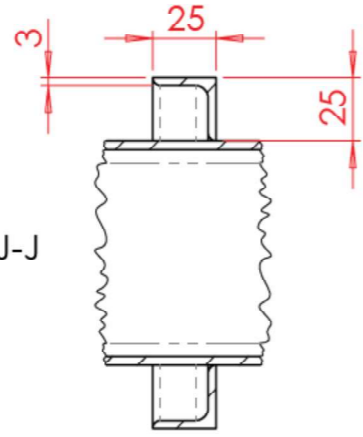
ALL DIMENSIONS IN mm
DO NOT SCALE
DESUR SHARP EDGES
IF IN DOUBT ASK



PROJECT: Mission Pole - Version 03.01 Revision 02
 SHEET DESCRIPTION: -
 DRAWN BY: CRP & JR | DRAWN: 9 MAR 2026 | APPROX. WEIGHT: -

DESCRIPTION: Main Pole
 DWG No.: -
 SURFACE AREA: - | SHEET 1 / 1 | SIZE A3 | MR

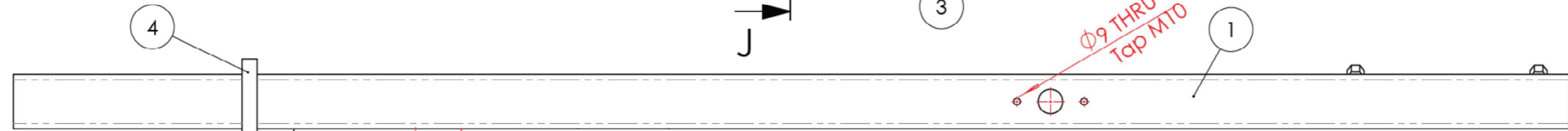
SECTION J-J
SCALE 1 : 3



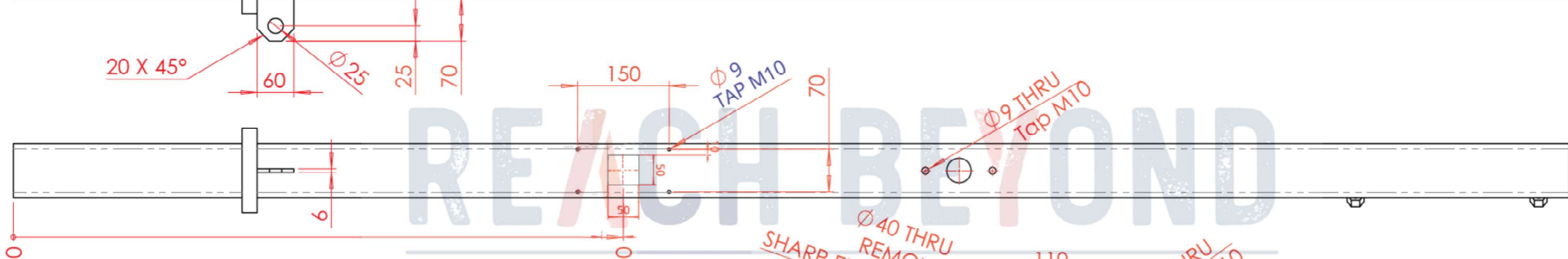
SECTION A-A
SCALE 1 : 3

ITEM NO.	QTY.	DESCRIPTION	LENGTH
1	1	80x80x3.50 RHS	2550
2	2	M16 Nut	
3	1	Rope Pull Tab	
4	4	25x25x3 EA	139

Changes are in blue.
所做的更改以蓝色标出。



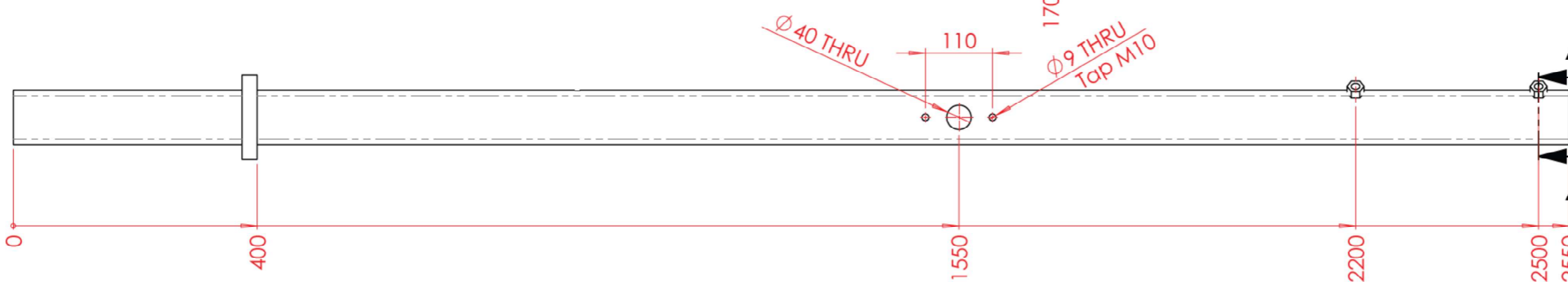
侧面图
Side View



正面视图
Front View



侧面图
Side View



后视图
Rear View

NOTE: REMOVE ALL SHARP EDGES 注意: 去除所有尖锐边缘

ALL DIMENSIONS IN mm
DO NOT SCALE
DEBUR SHARP EDGES
IF IN DOUBT ASK

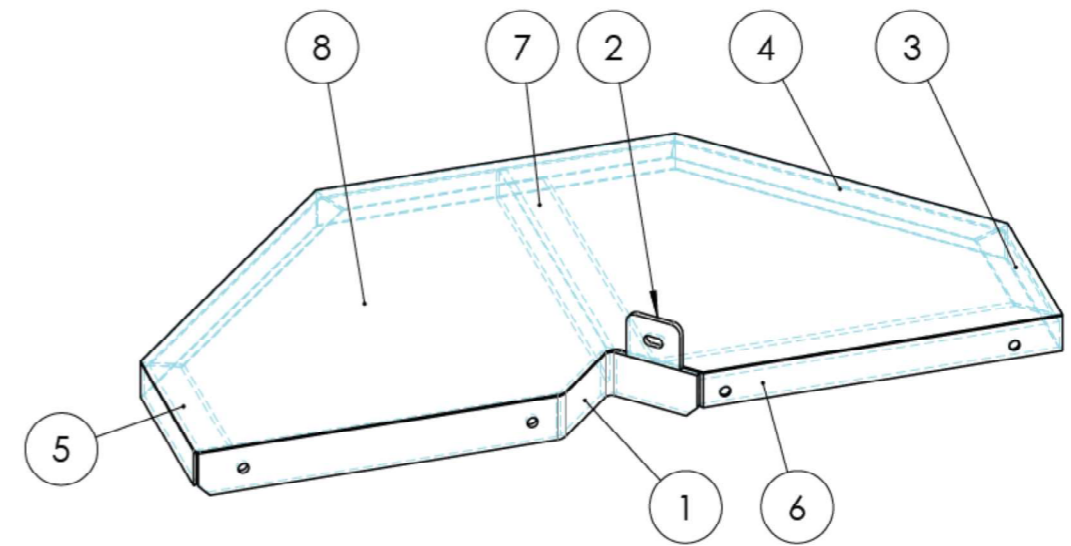
REACH BEYOND
NEW ZEALAND

PROJECT: Mission Pole - Version 03.01 Revision 02
SHEET DESCRIPTION: -
DRAWN BY CRP & JR | DRAWN 9 MAR 2026 | APPROX. WEIGHT

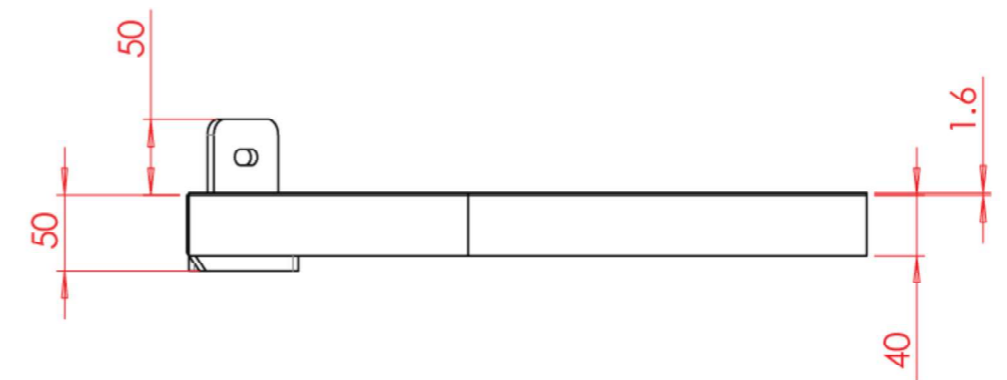
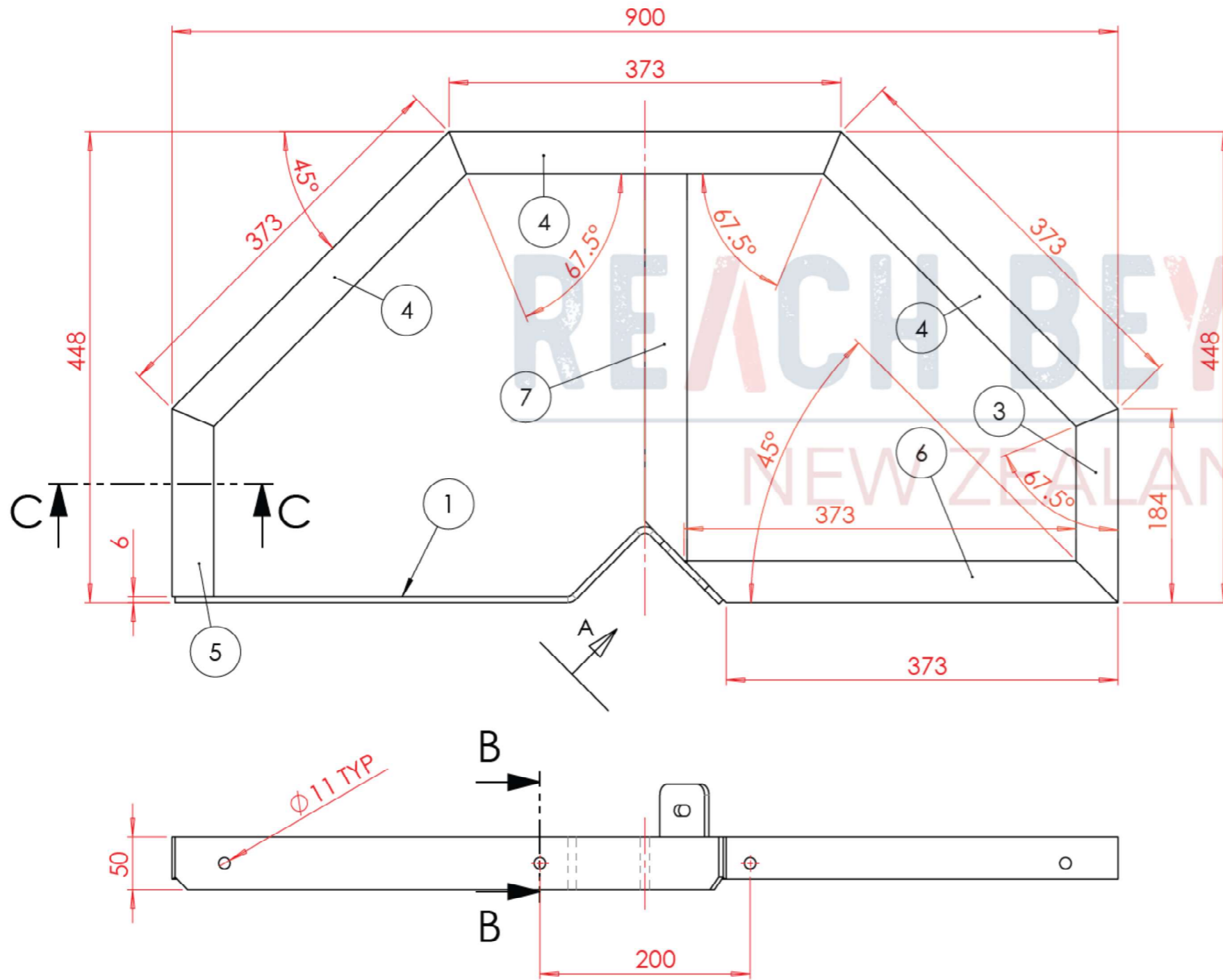
DESCRIPTION: Pole Extension
DWG No. -
SURFACE AREA - | SHEET 1 / 1 | SIZE A3 | MR

ITEM NO.	A	B	C	D	E	F
ITEM NO.	QTY.	DESCRIPTION	LENGTH			
1	1	Bolting Flange				
2	1	Bolting Lug				
3	1	40x40x3 EA	184			
4	3	40x40x3 EA	373			
5	1	40x40x3 EA	178			
6	1	40x40x3 EA	413			
7	1	40x40x3 EA	410			
8	1	1.6mm GALV Sheet				

QTY: 2 OFF



NOTE: COVER TABLE IN 1.6mm GALV SHEET AS SHOWN WITH NO SHARP EDGES EDGE FLUSH TO FRAME



ALL DIMENSIONS IN mm
DO NOT SCALE
DEBUR SHARP EDGES
IF IN DOUBT ASK



REACH BEYOND
NEW ZEALAND

PROJECT
Mission Pole - Version 03.01

SHEET DESCRIPTION

-

DRAWN BY

CRP

DRAWN

20 JAN 2026

APPROX. WEIGHT

DESCRIPTION
Table Half Frame

DWG No.

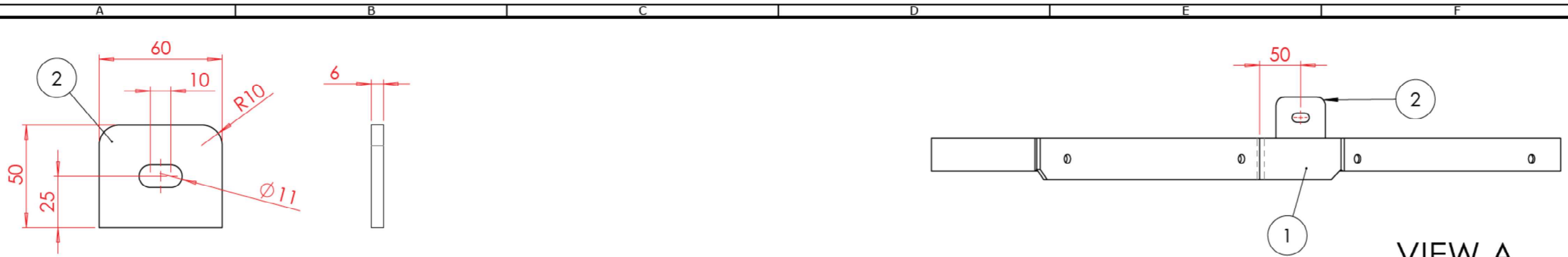
SURFACE AREA

SHEET 1 / 2

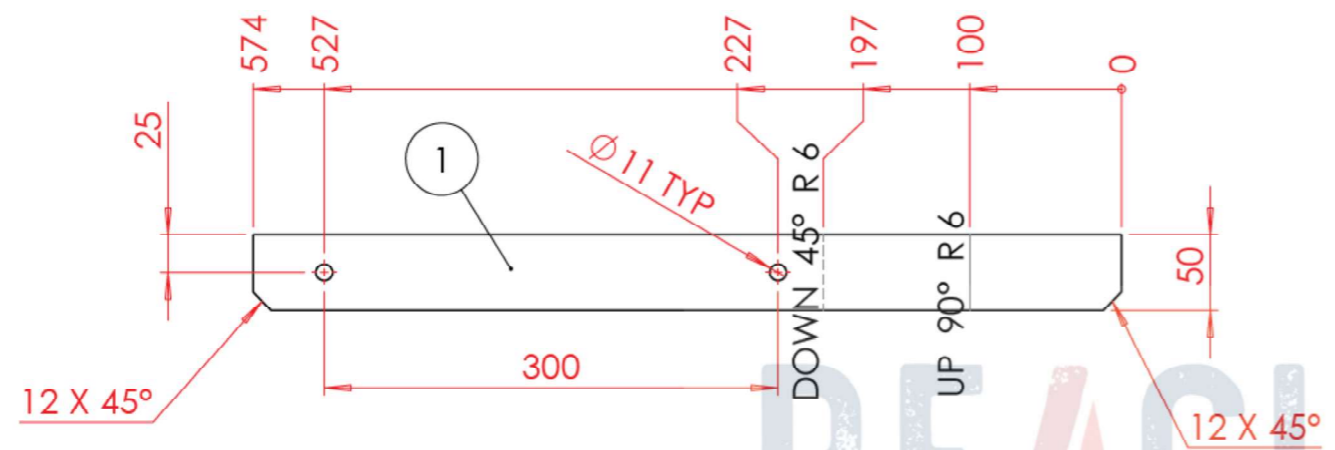
SIZE A3

MR

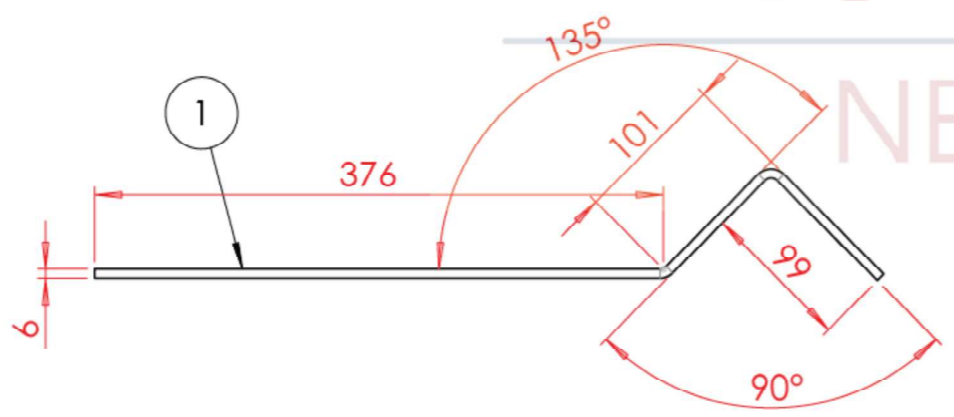
8



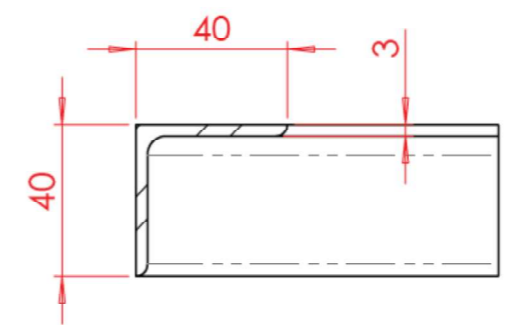
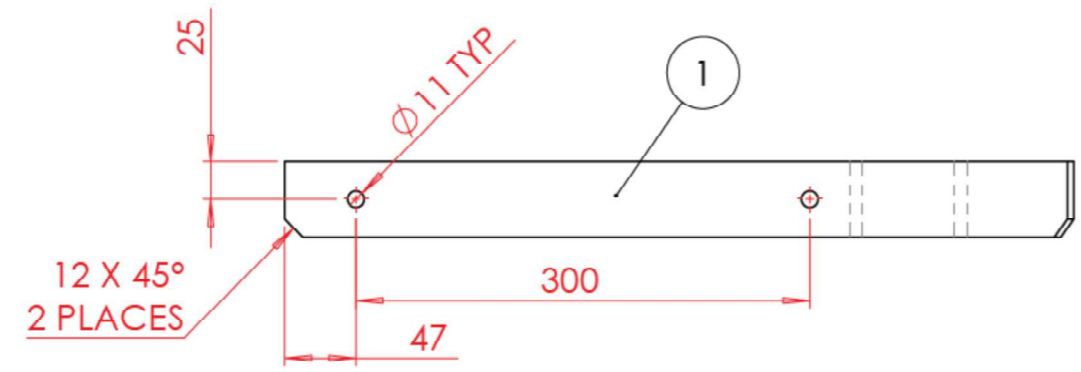
VIEW A
 45.00°
 SCALE 1 : 5



REACH BEYOND



SECTION B-B
 SCALE 1 : 3



SECTION C-C
 SCALE 1 : 2

ALL DIMENSIONS IN mm
 DO NOT SCALE
 DESUR SHARP EDGES
 IF IN DOUBT ASK

CC BY NC

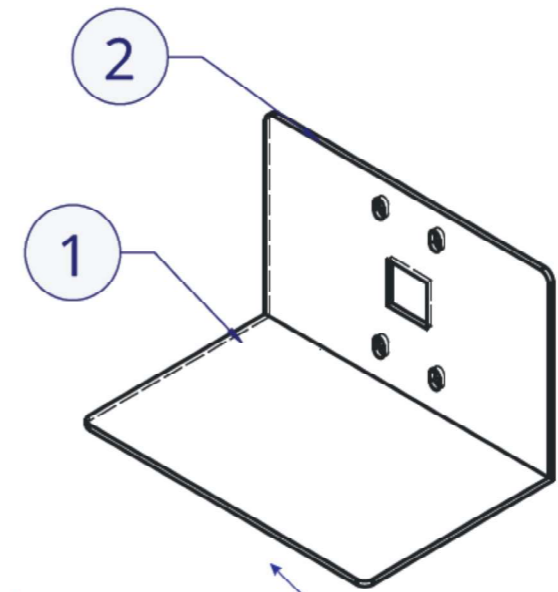
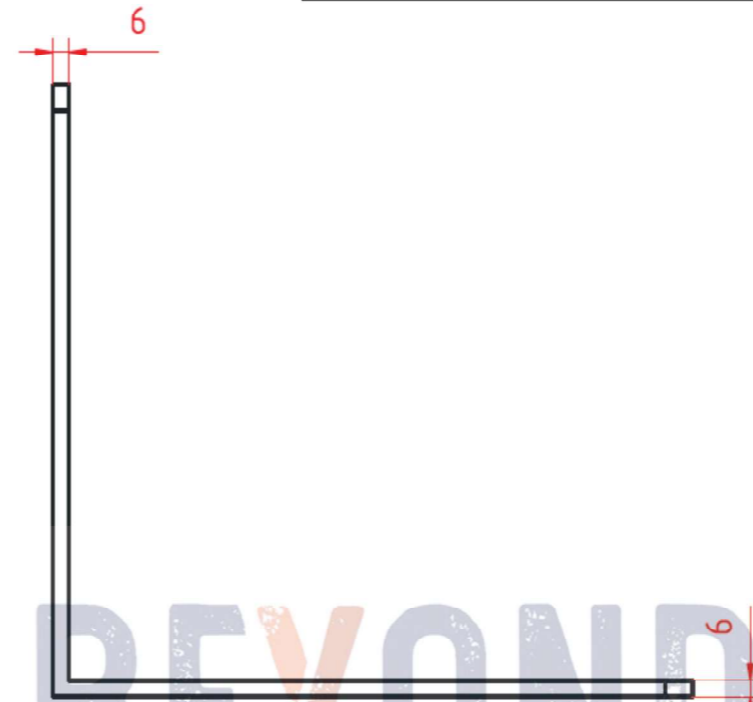
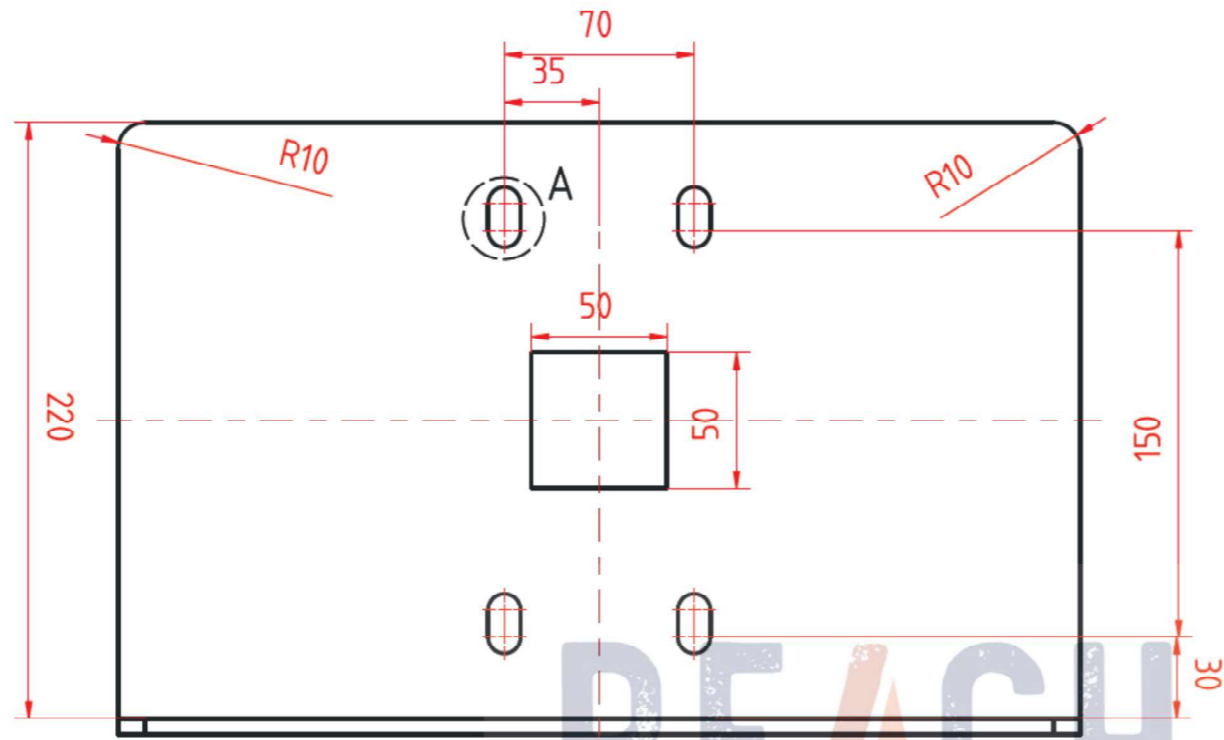
REACH BEYOND
 NEW ZEALAND

PROJECT Mission Pole - Version 03.01		DESCRIPTION Table Half Frame	
SHEET DESCRIPTION -		DWG No.	
DRAWN BY CRP	DRAWN 20 JAN 2026	APPROX. WEIGHT	SURFACE AREA
SHEET 2 / 2		SIZE A3	MR

ITEM NO.	QTY.	DESCRIPTION	LENGTH
1	1	Base Plate	
2	1	Back Plate	

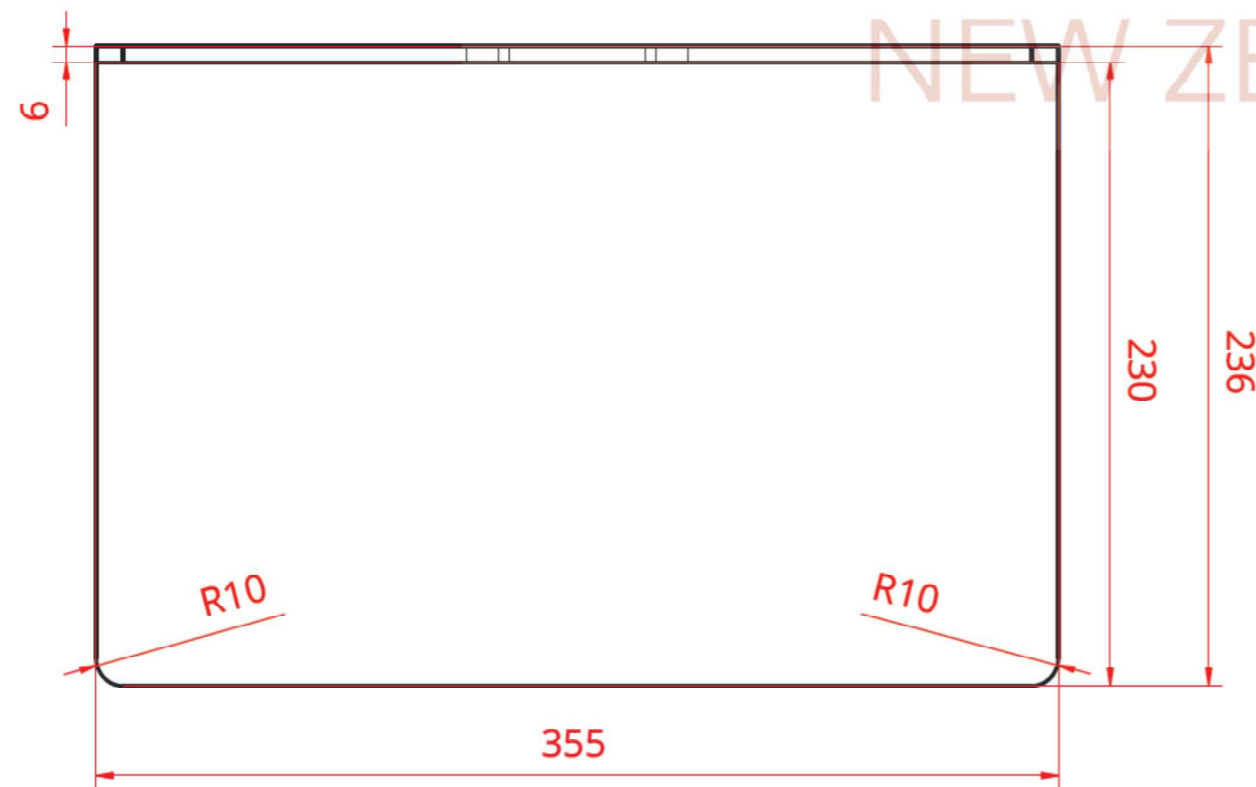
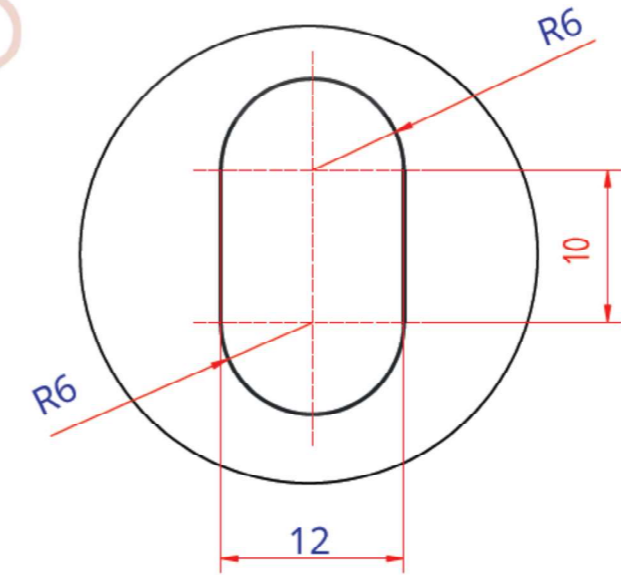
Notes:
 Remove all sharp edges.
 Quantity: 2
 Changes are in blue.

笔记:
 去除所有尖锐边缘。
 数量:2
 所做的更改以蓝色标出。



Removed pipe
拆下的管道

Detail A
4 Places



ALL DIMENSIONS IN mm
DO NOT SCALE
DESUR SHARP EDGES
IF IN DOUBT ASK



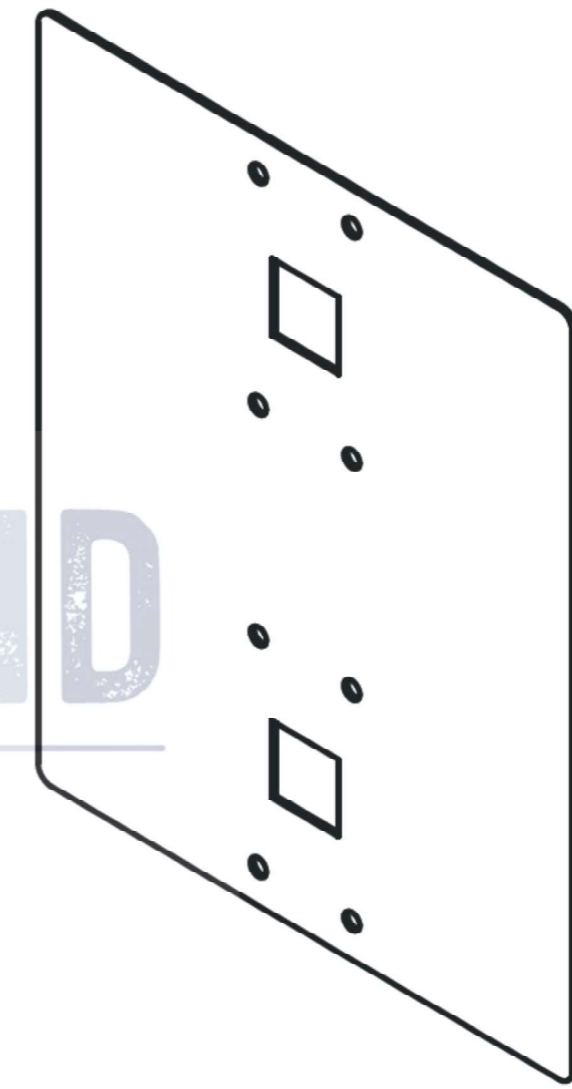
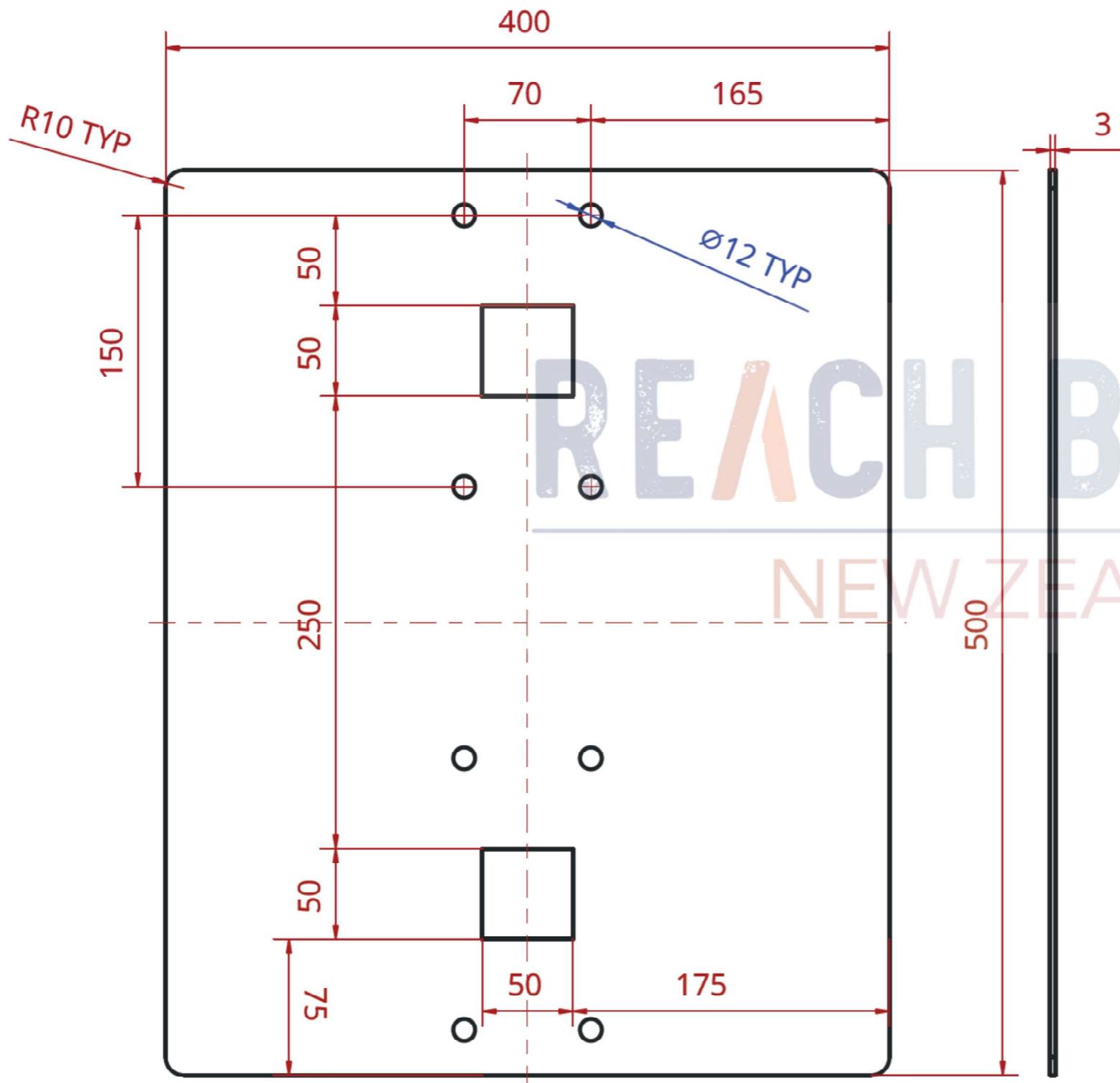
PROJECT
Mission Pole - Version 03.01 Revision 02
 SHEET DESCRIPTION
 DRAWN BY JR DRAWN 9 MAR 2026 APPROX. WEIGHT

DESCRIPTION
Battery Bracket
 DWG No.

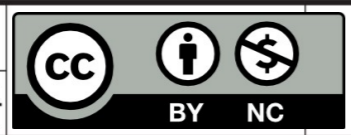
SURFACE AREA SHEET 1 / 1 SIZE A3 MR

Notes:
 Remove all sharp edges.
 Quantity: 1
 Changes are in blue.

笔记:
 去除所有尖锐边缘。
 数量: 1
 所做的更改以蓝色标出。



ALL DIMENSIONS IN mm
 DO NOT SCALE
 DEBUR SHARP EDGES
 IF IN DOUBT ASK



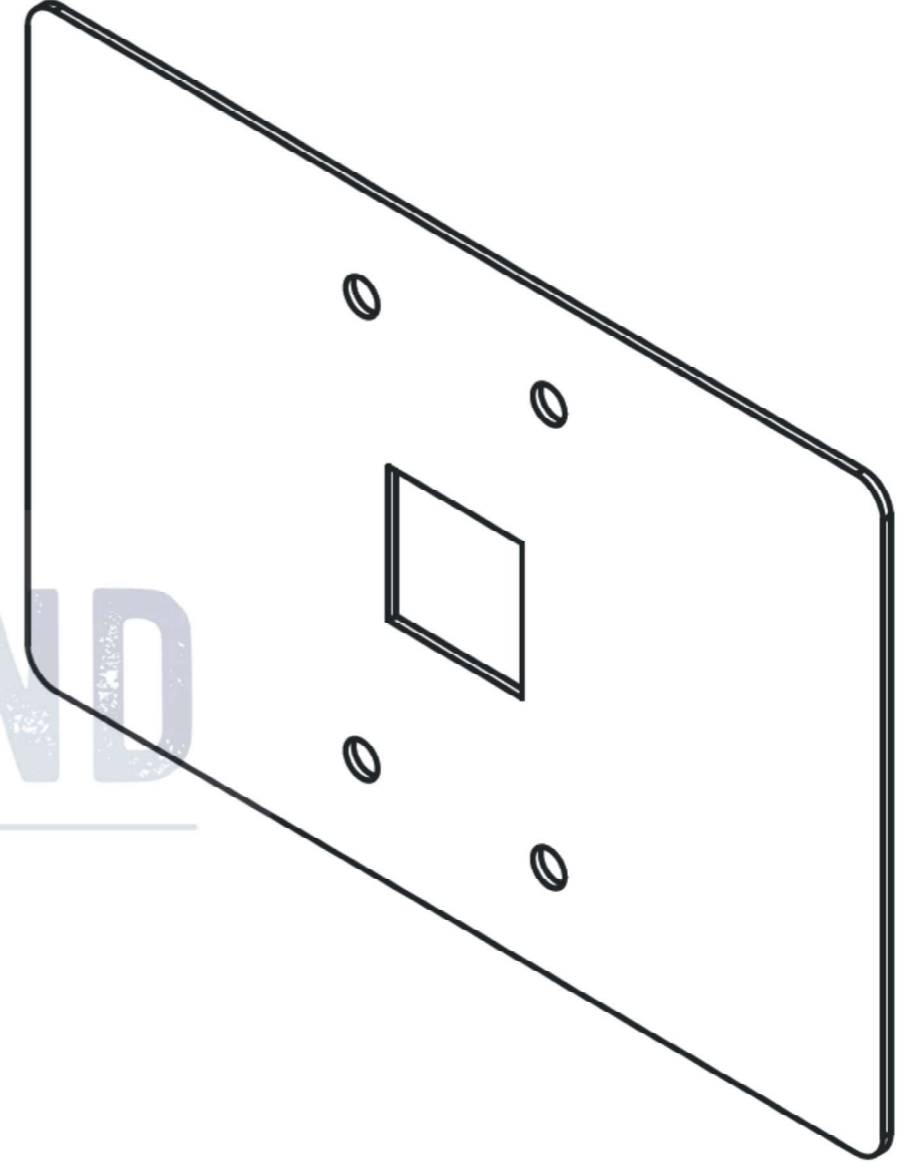
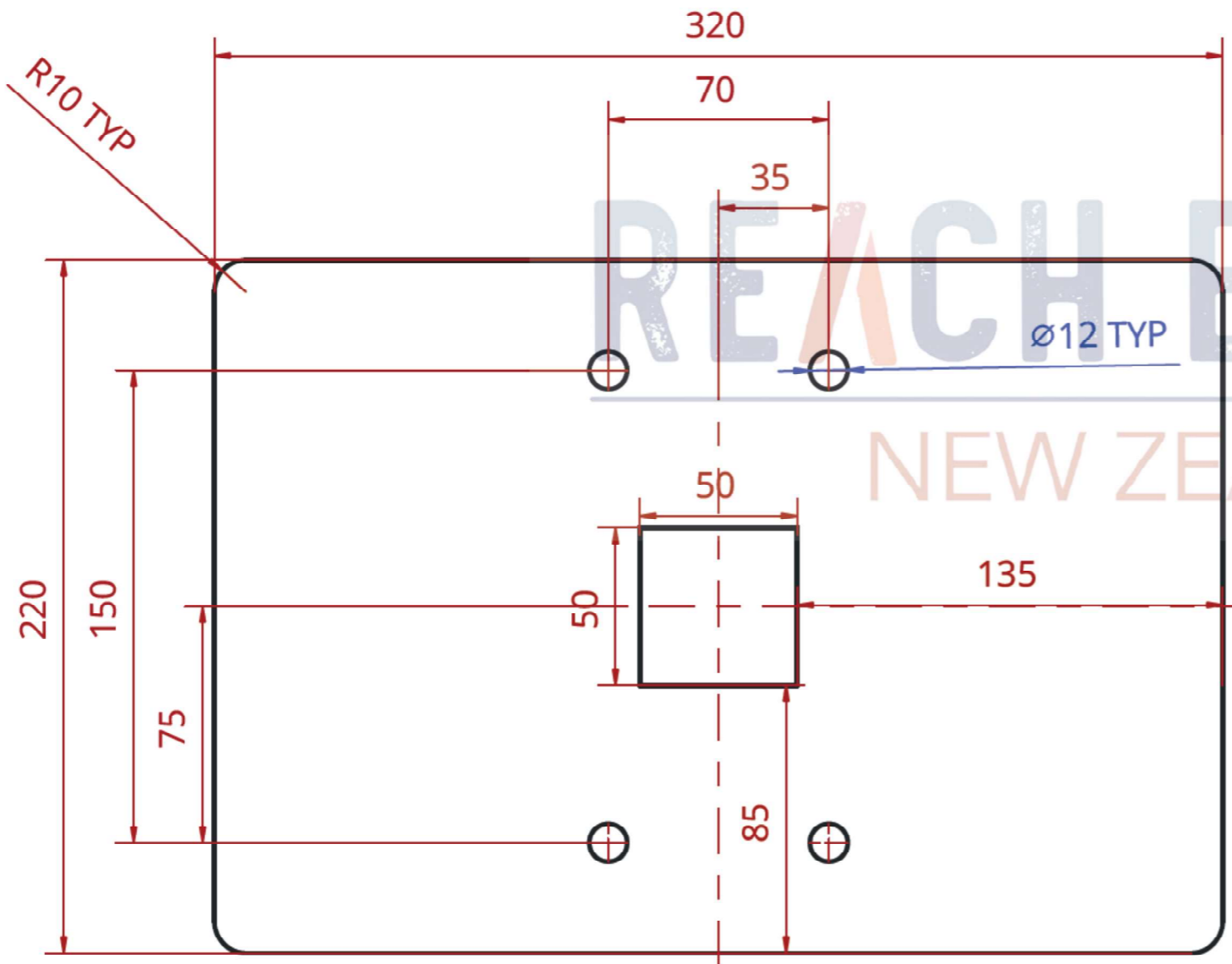
REACH BEYOND
 NEW ZEALAND

PROJECT Mission Pole - Version 03.01 Revision 02	
SHEET DESCRIPTION -	
DRAWN BY JR	DRAWN 9 MAR 2026
APPROX. WEIGHT	

DESCRIPTION PD & Amp Box Mounting Plate	
DWG No.	
SURFACE AREA	SHEET 1 / 1
SIZE A3	MR

Notes:
 Remove all sharp edges.
 Quantity: 2
 Changes are in blue.

笔记:
 去除所有尖锐边缘。
 数量: 2
 所做的更改以蓝色标出。



ALL DIMENSIONS IN mm
 DO NOT SCALE
 DEBUR SHARP EDGES
 IF IN DOUBT ASK



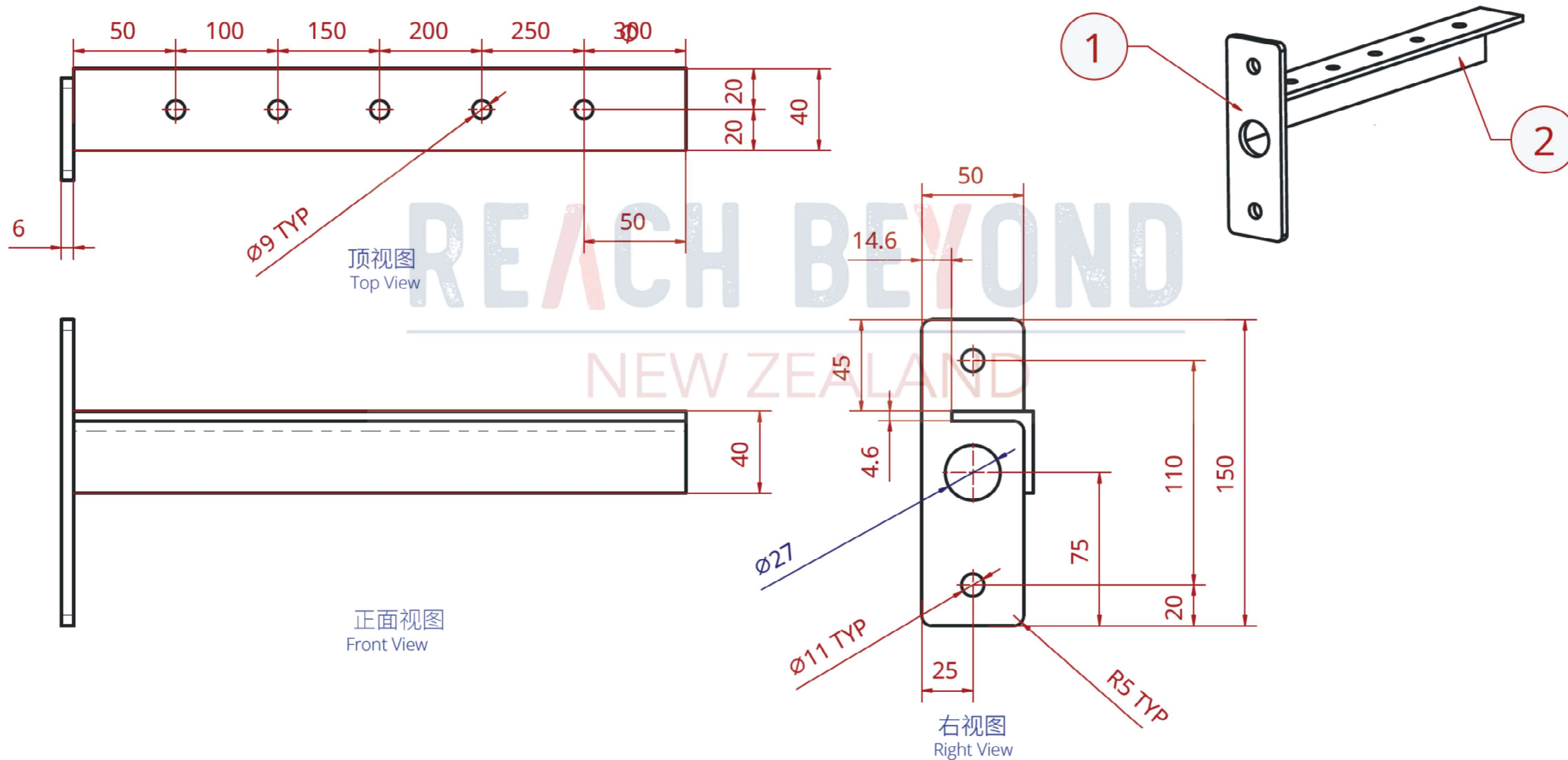
PROJECT Mission Pole - Version 03.01 Revision 02		DESCRIPTION Sheepstation & USB Box Mounting Plates	
SHEET DESCRIPTION -		DWG No.	
DRAWN BY CRP & JR	DRAWN 9 MAR 2026	APPROX. WEIGHT	SURFACE AREA

SHEET	1 / 1	SIZE	A3	MR
-------	-------	------	----	----

ITEM NO.	QTY.	DESCRIPTION	LENGTH
1	1	Foot Plate	
2	1	40x40x5 EA	300

Notes:
Remove all sharp edges.
Quantity: 2
Changes are in blue.

笔记:
去除所有尖锐边缘。
数量: 2
所做的更改以蓝色标出。



ALL DIMENSIONS IN mm
DO NOT SCALE
DEBUR SHARP EDGES
IF IN DOUBT ASK



REACH BEYOND
NEW ZEALAND

PROJECT
Mission Pole - Version 03.01 Revision 02

SHEET DESCRIPTION

DRAWN BY CRP & JR DRAWN 9 MAR 2026 APPROX. WEIGHT

DESCRIPTION
Speaker Mount

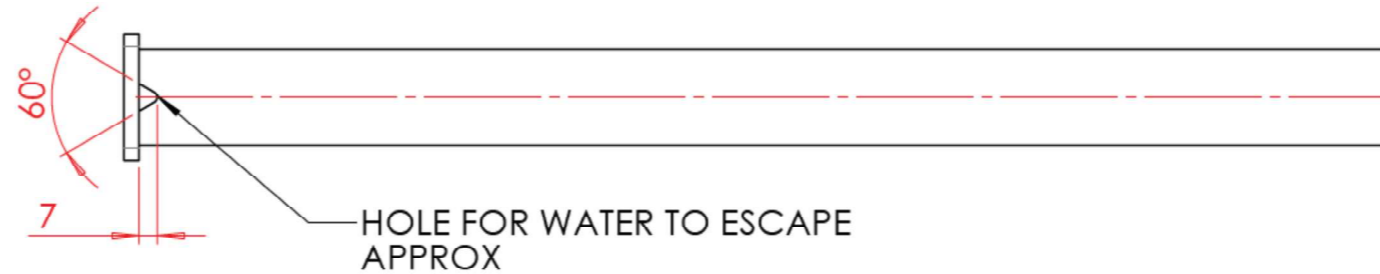
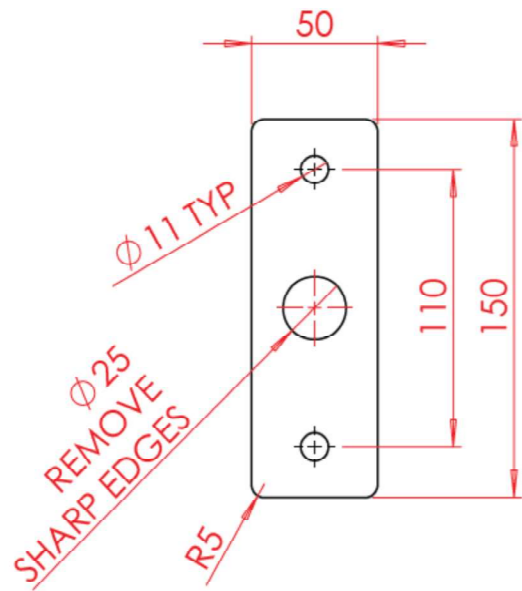
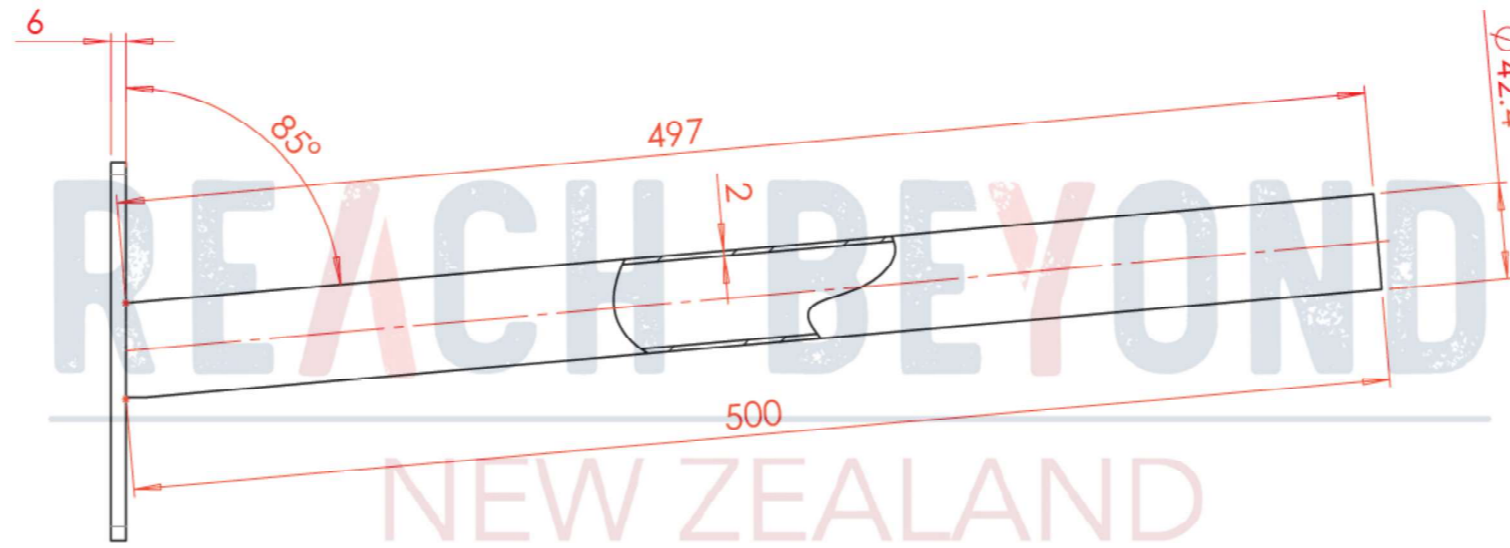
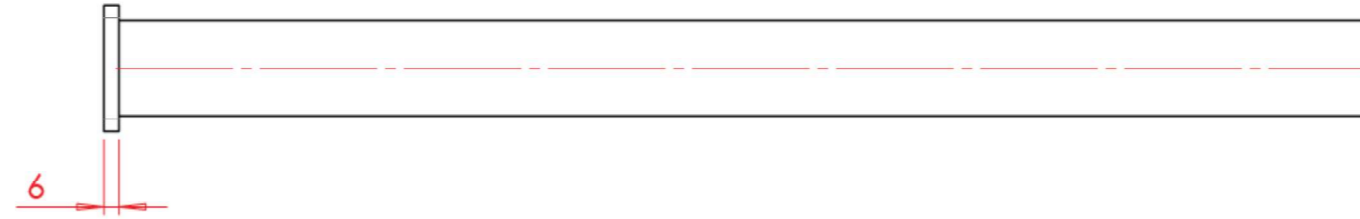
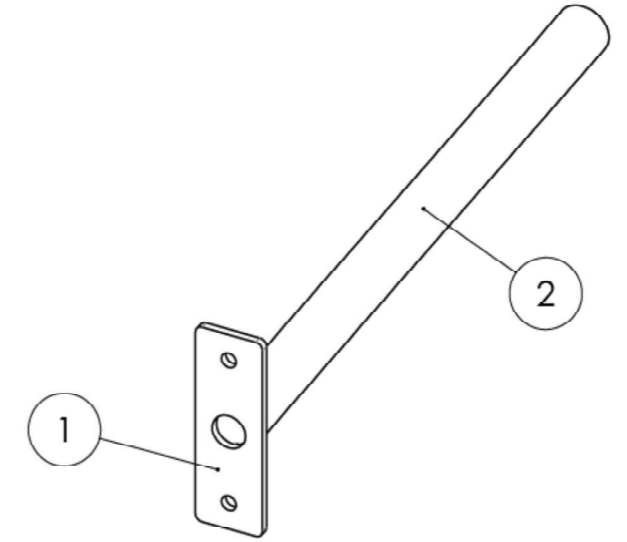
DWG No.

SURFACE AREA SHEET 1 / 1 SIZE A3 MR

13

ITEM NO.	QTY.	DESCRIPTION	LENGTH
1	1	Sheet	
2	1	42.4 x 2 CHS	500

NOTE: REMOVE ALL SHARP EDGES
QTY: 2 OFF



ALL DIMENSIONS IN mm
DO NOT SCALE
DESUR SHARP EDGES
IF IN DOUBT ASK



REACH BEYOND
NEW ZEALAND

PROJECT
Mission Pole - Version 03.01

SHEET DESCRIPTION

-

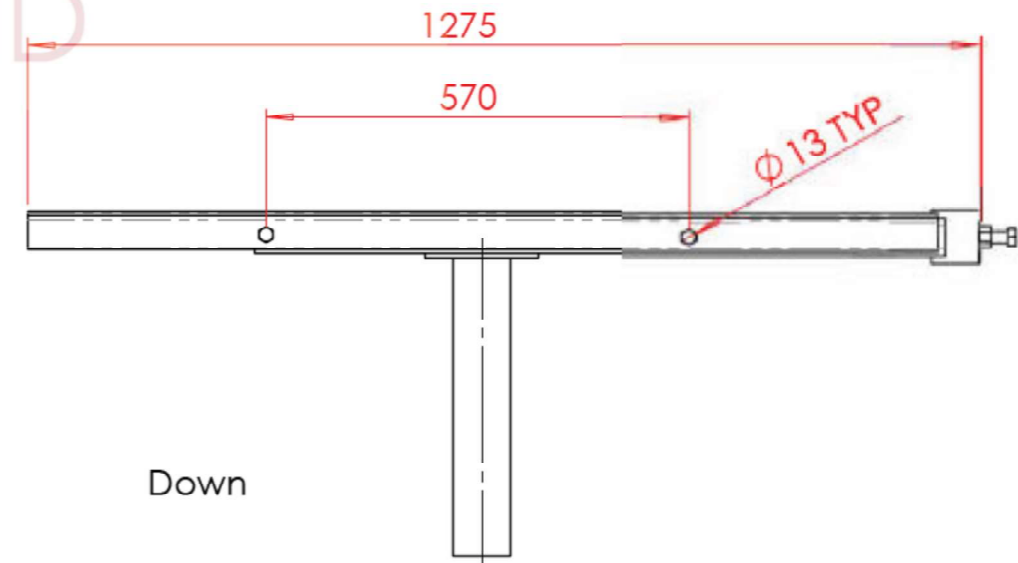
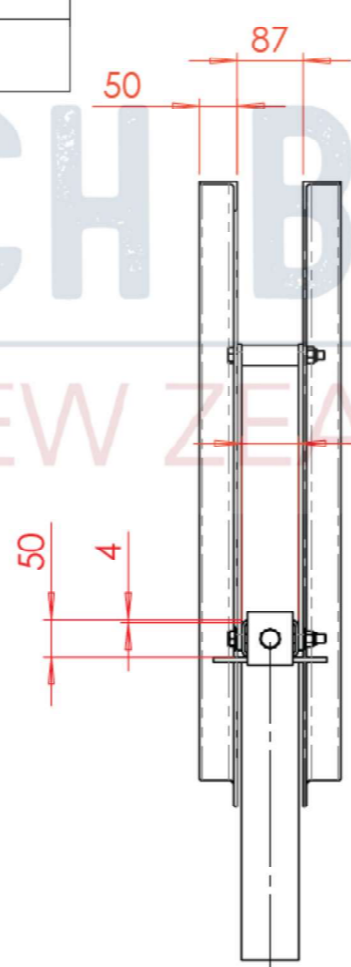
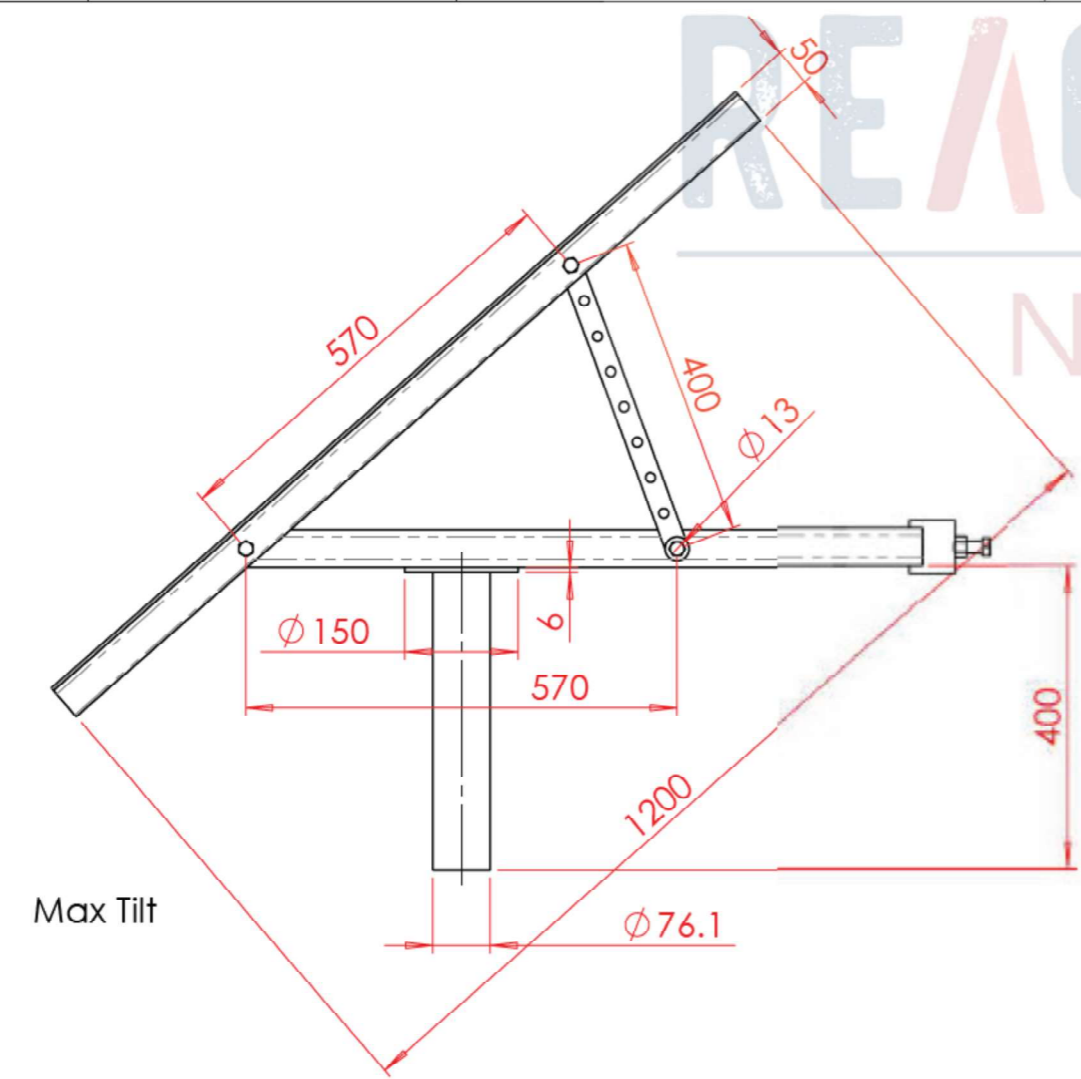
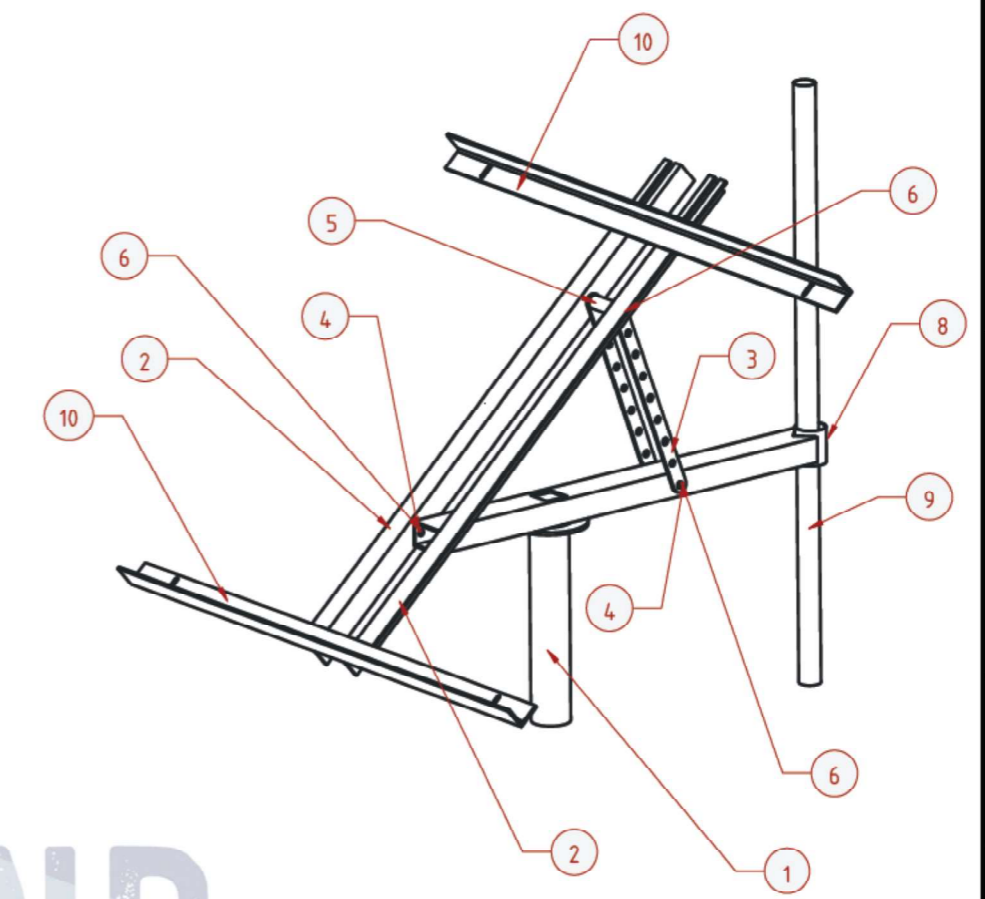
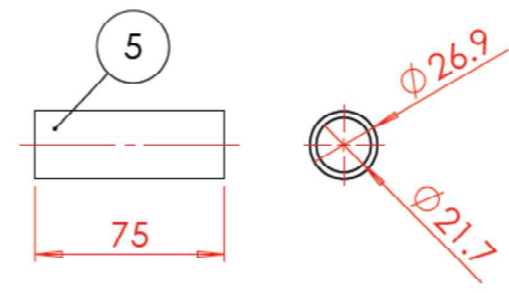
DRAWN BY CRP DRAWN 20 JAN 2026 APPROX. WEIGHT

DESCRIPTION
Solar Light Mount

DWG No.

SURFACE AREA SHEET 1 / 1 SIZE A3 MR

ITEM NO.	A SW-File Name (File Name)	B SW-Configuration Name (Configuration Name)	C QTY.
1	Solar Panel Mount Base w. CAM	Default<As Machined>	1
2	Solar Panel Frame Bracket	Default<As Machined>	1
3	Solar Panel Linkage	Default	2
4	Galv HV Flat Washer	Default	6
5	Solar Panel Linkage Spacer	Default<As Machined>	1
6	M12 Bolt G8.8 ZP	M12x120	3
7	M12 Byloc Nut ZP	M12	3
8	M16 Bolt ZP	M16X40	1
9	CAM Pipe	Default<As Machined>	1
10	Solar Panel Frame Cross Bracket	Default<As Machined>	2



REACH BEYOND
NEW ZEALAND

Max Tilt

Down

ALL DIMENSIONS IN mm
DO NOT SCALE
DESUR SHARP EDGES
IF IN DOUBT ASK

REACH BEYOND
NEW ZEALAND

PROJECT
Mission Pole - Version 03.01

SHEET DESCRIPTION
-

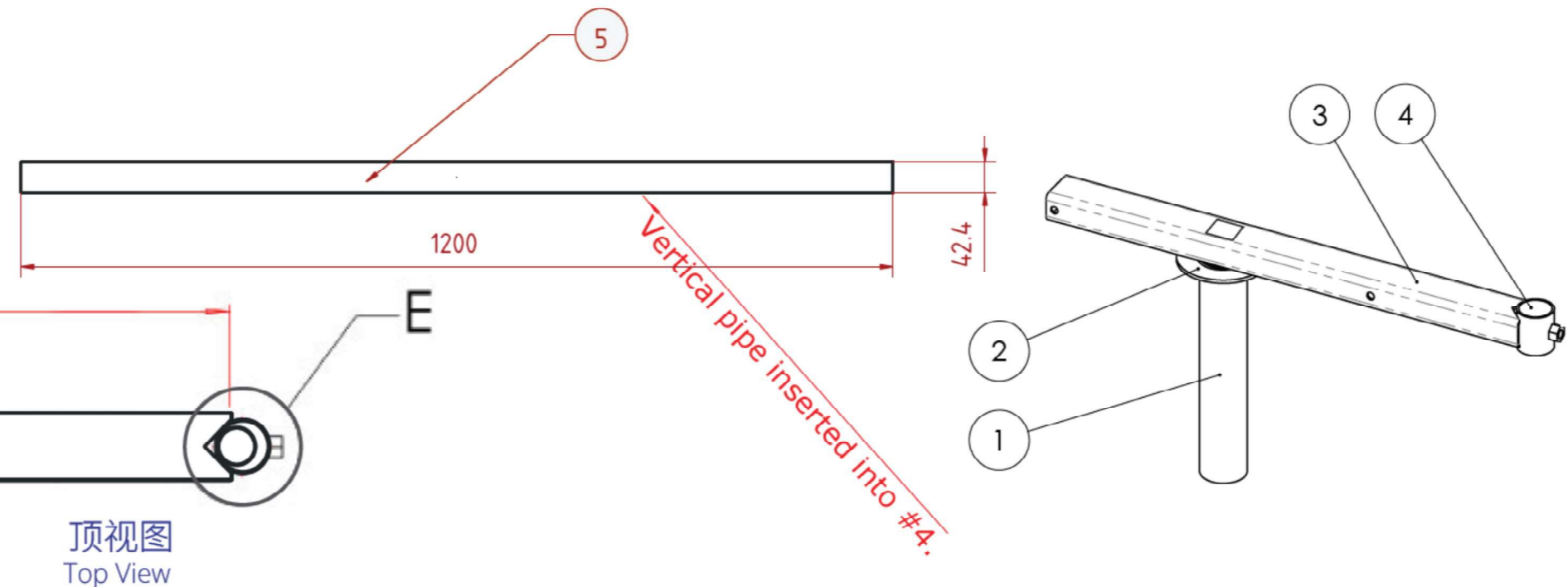
DRAWN BY CRP & JR DRAWN 30 JAN 2026 APPROX. WEIGHT

DESCRIPTION
Solar Panel Mount

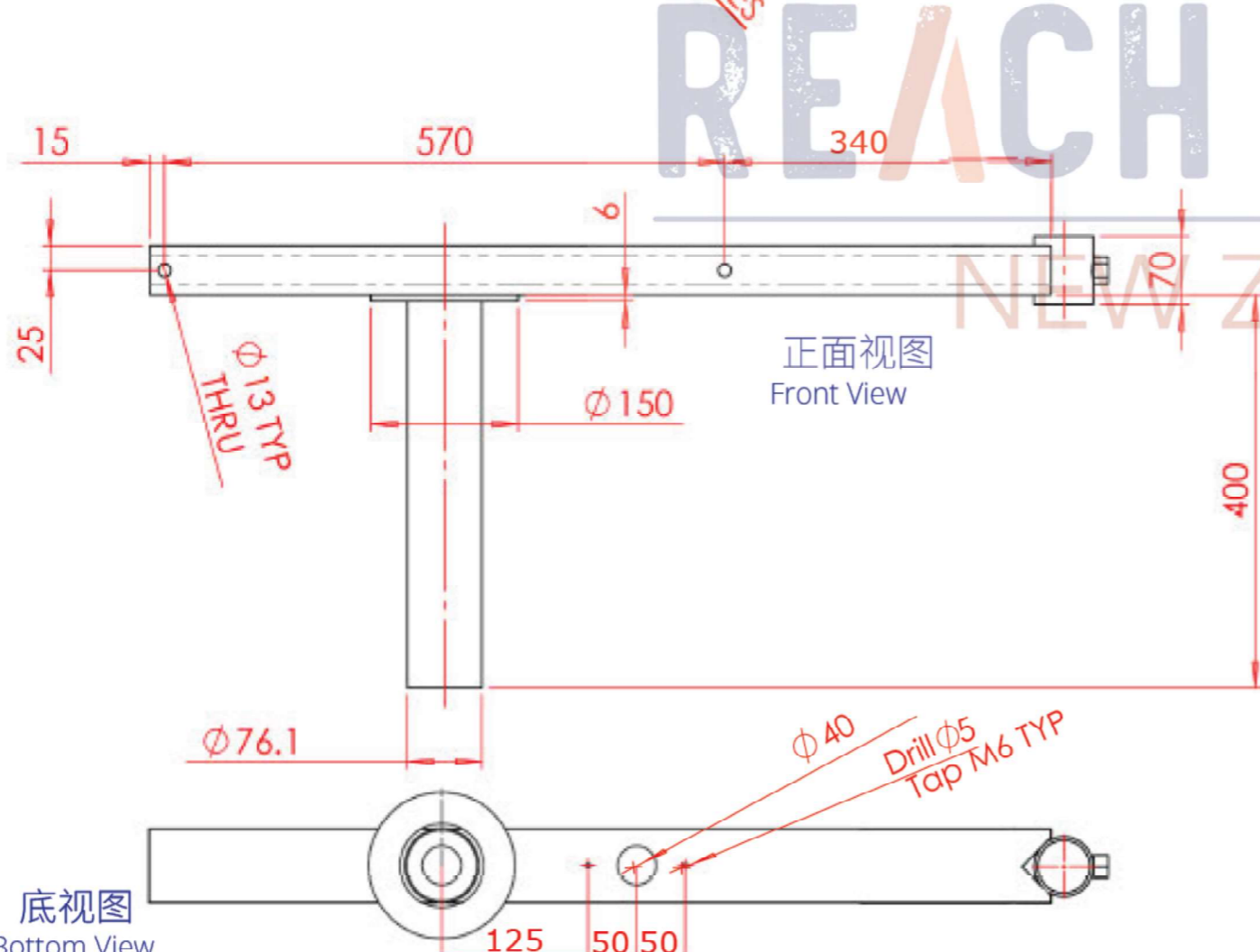
DWG No.

SURFACE AREA SHEET 1 / 1 SIZE A3 MR

ITEM NO.	QTY.	DESCRIPTION	LENGTH
1	1	76.10x3.60 CHS	400
2	1	Top plate	
3	1	75x50x4 RHS	850
4	1	60.30x3.60 CHS with M16 Nut	70
5	1	CAM Pipe: 42.4x2 CHS	1200

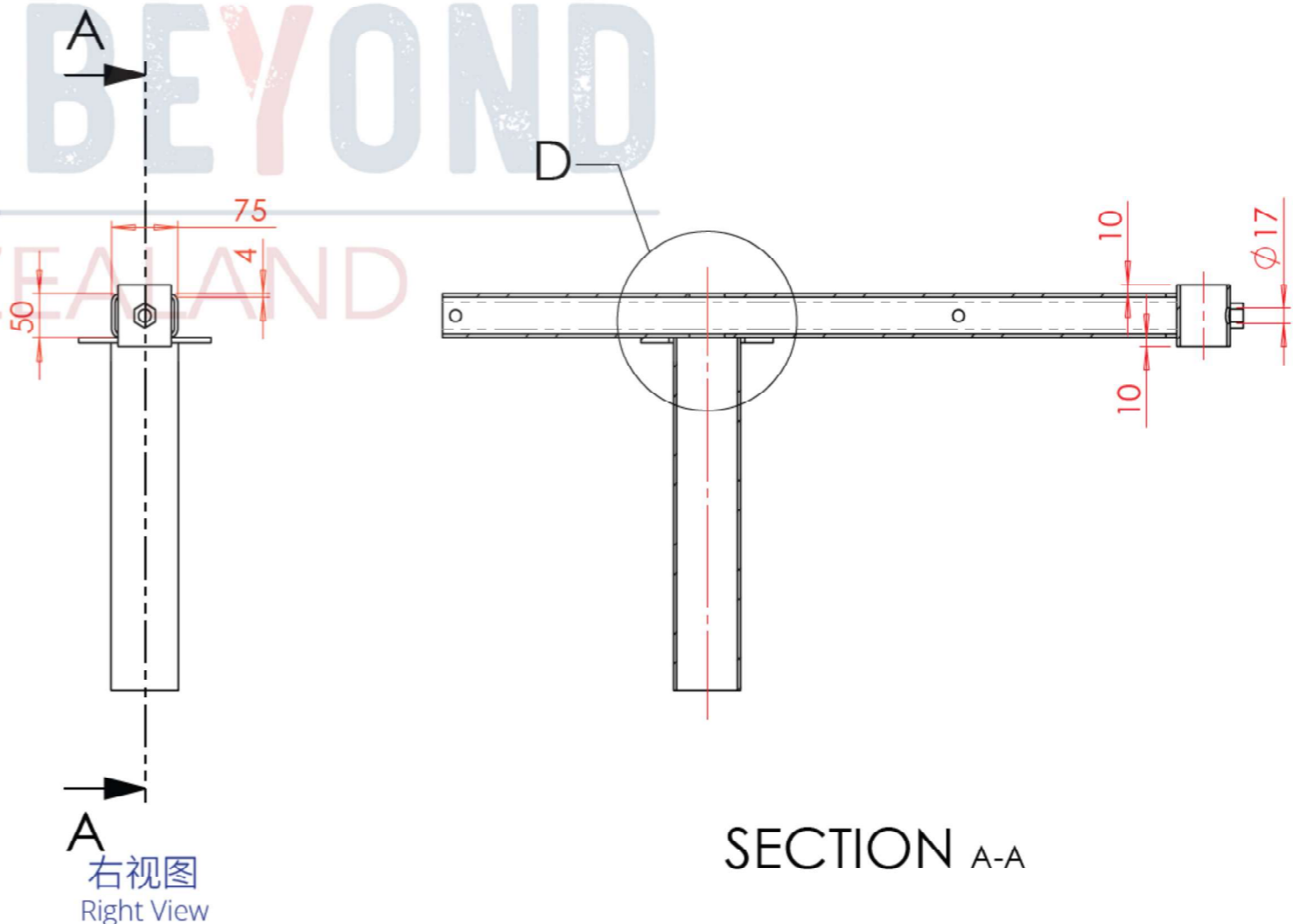


顶视图
Top View



正面视图
Front View

底视图
Bottom View



右视图
Right View

SECTION A-A

ALL DIMENSIONS IN mm
DO NOT SCALE
REMOVE SHARP EDGES
IF IN DOUBT ASK

A

B

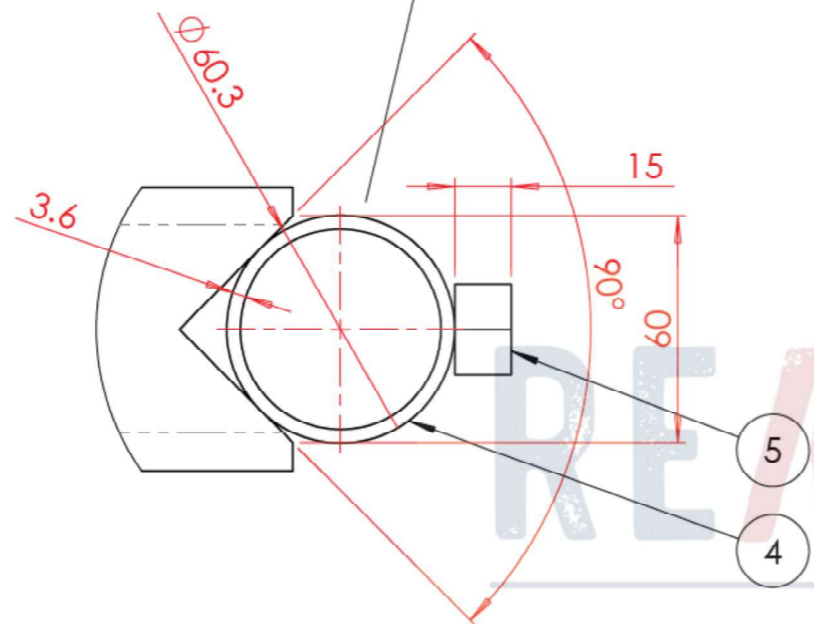
C

D

E

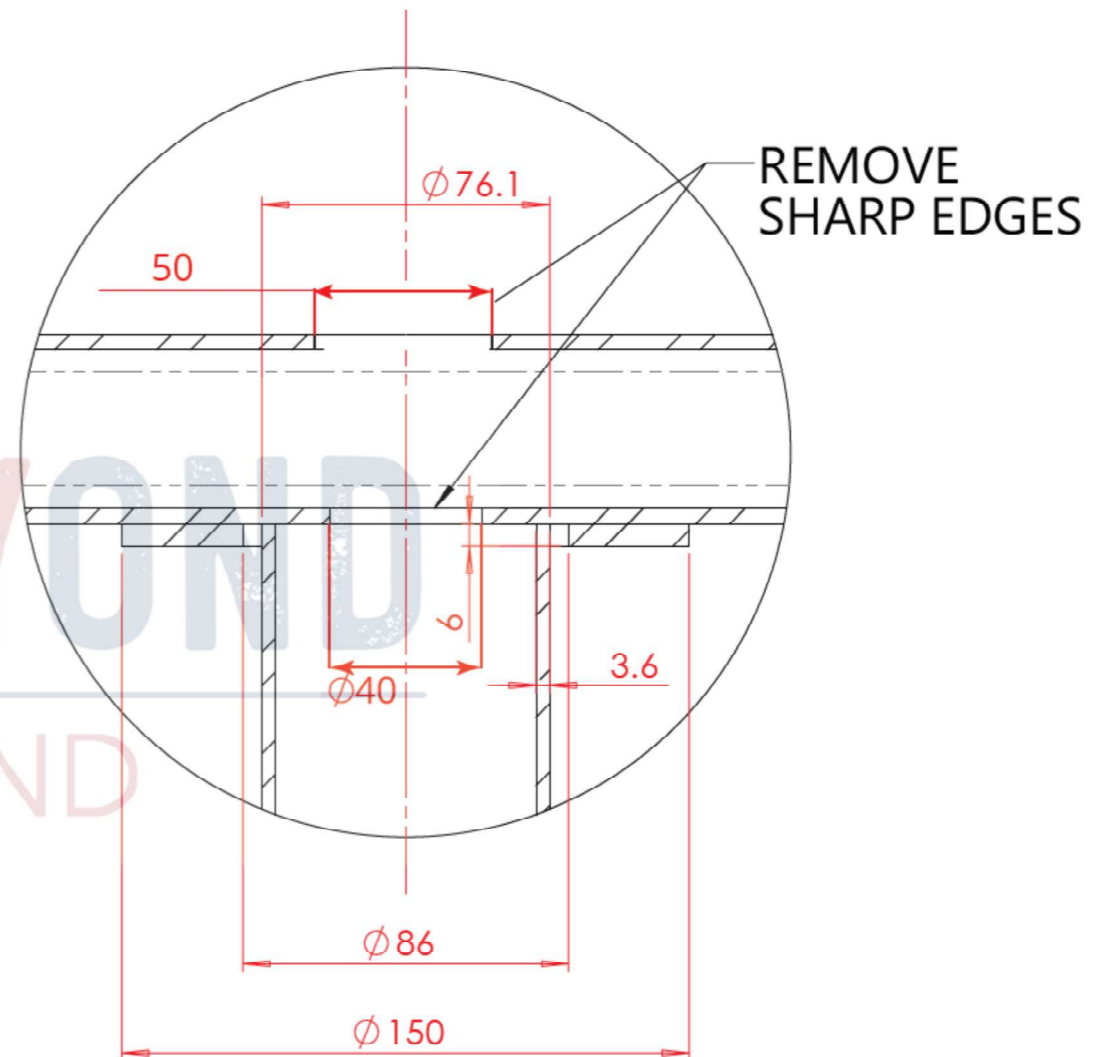
F

NOTE:
CAM Pipe slides into this outer sleeve. Attached via bolt.



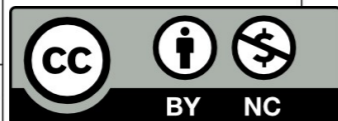
DETAIL E
SCALE 1 : 2

DETAIL D
SCALE 1 : 2



REACH BEYOND
NEW ZEALAND

ALL DIMENSIONS IN mm
DO NOT SCALE
DEBUR SHARP EDGES
IF IN DOUBT ASK



REACH BEYOND
NEW ZEALAND

PROJECT
Mission Pole - Version 03.01

SHEET DESCRIPTION

-

DRAWN BY

CRP

DRAWN 30 JAN 2026

APPROX. WEIGHT

DESCRIPTION
Solar Panel Mount Base w. CAM

DWG No.

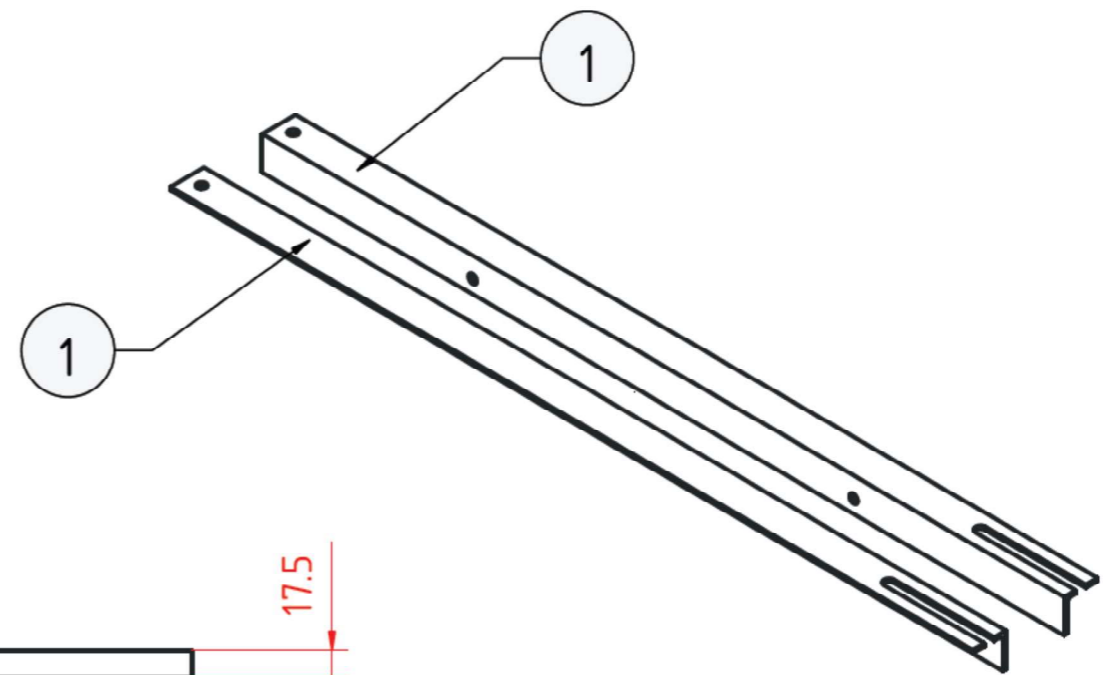
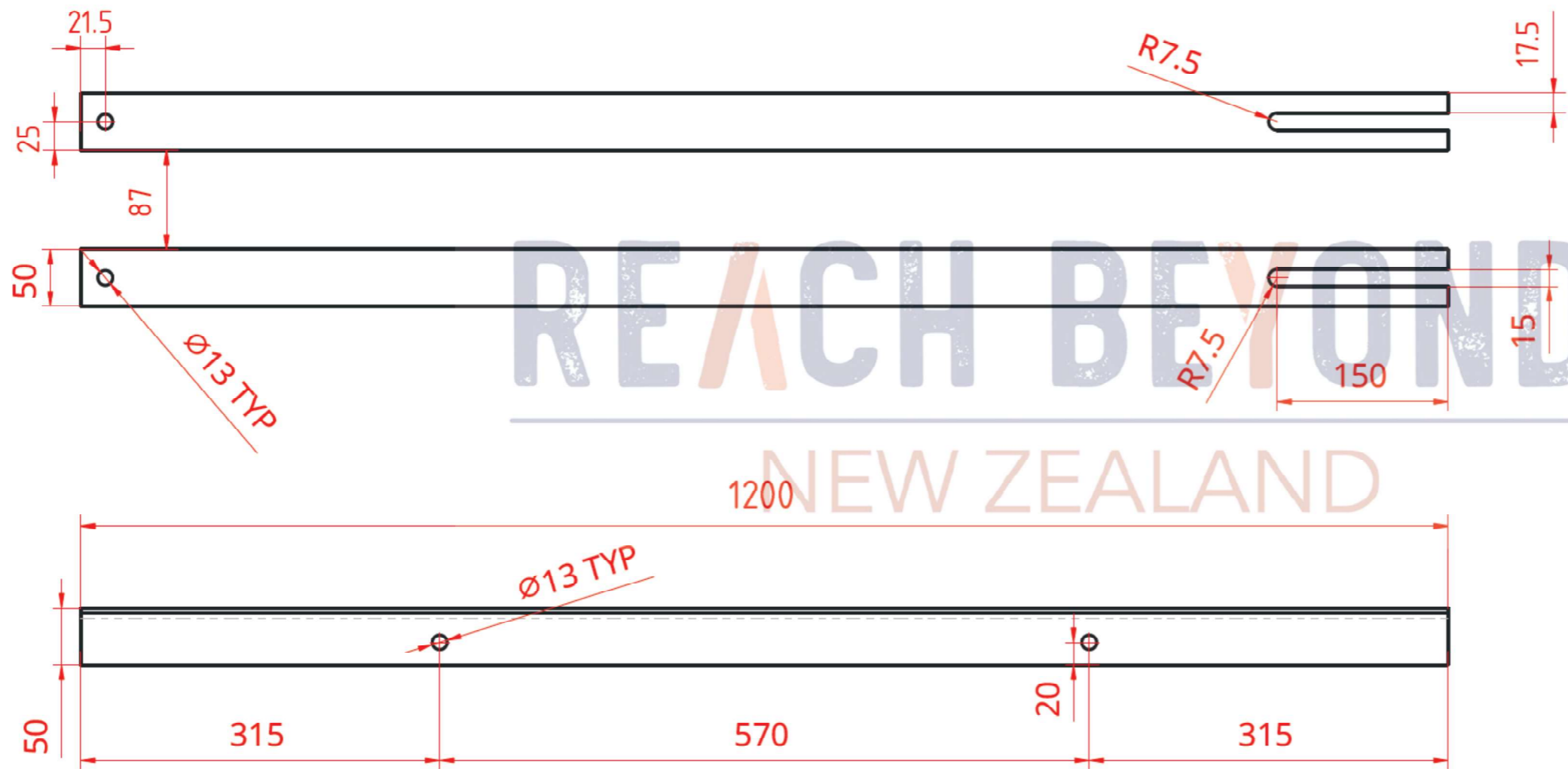
SURFACE AREA

SHEET 2 / 2

SIZE A3

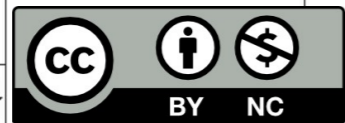
MR

ITEM NO.	QTY.	DESCRIPTION	LENGTH
1	2	50x50x5 EA	1200



REACH BEYOND
NEW ZEALAND

ALL DIMENSIONS IN mm
DO NOT SCALE
DESUR SHARP EDGES
IF IN DOUBT ASK



REACH BEYOND
NEW ZEALAND

PROJECT
Mission Pole - Version 03.01

SHEET DESCRIPTION

-

DRAWN BY CRP & JR

DRAWN 30 JAN 2026

APPROX. WEIGHT

DESCRIPTION
Solar Panel Frame Bracket

DWG No.

SURFACE AREA

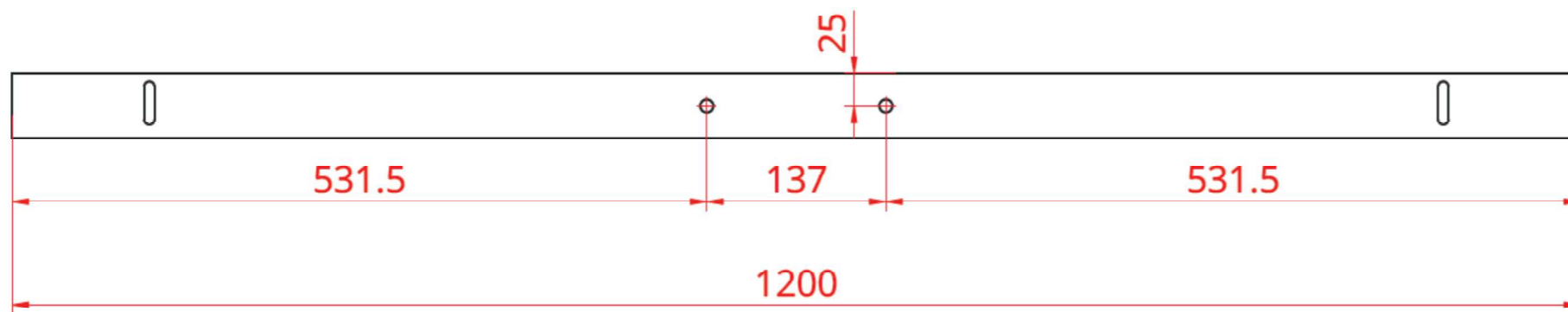
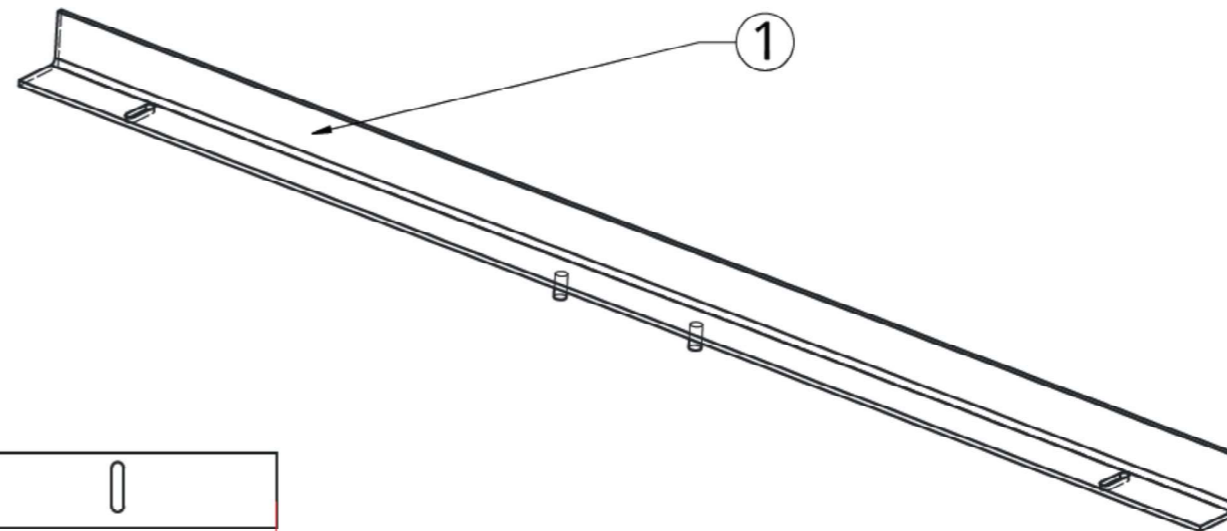
SHEET 1 / 1

SIZE A3

MR

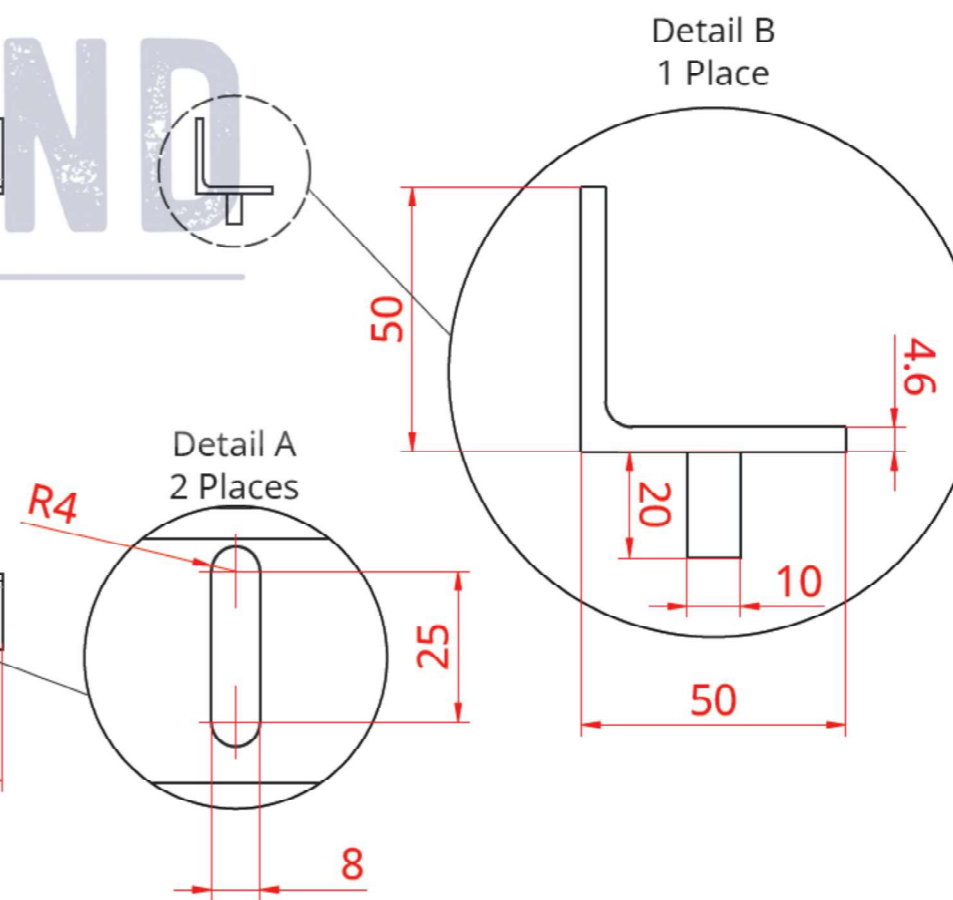
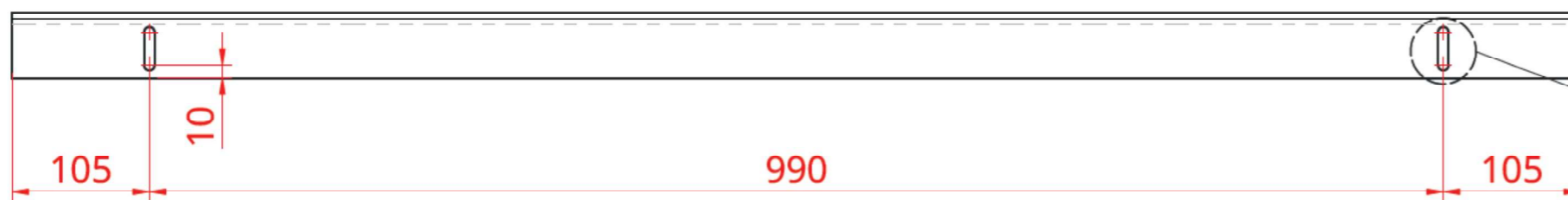
ITEM NO.	QTY.	DESCRIPTION	LENGTH
1	2	50x50x5 EA	1200

QTY: 2 OFF

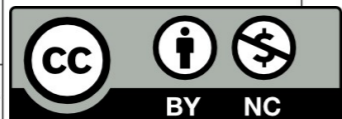


M10x1.5 Machine Threads

REACH BEYOND
NEW ZEALAND



ALL DIMENSIONS IN mm
DO NOT SCALE
DESUR SHARP EDGES
IF IN DOUBT ASK



REACH BEYOND
NEW ZEALAND

PROJECT
Mission Pole - Version 03.01

SHEET DESCRIPTION

-

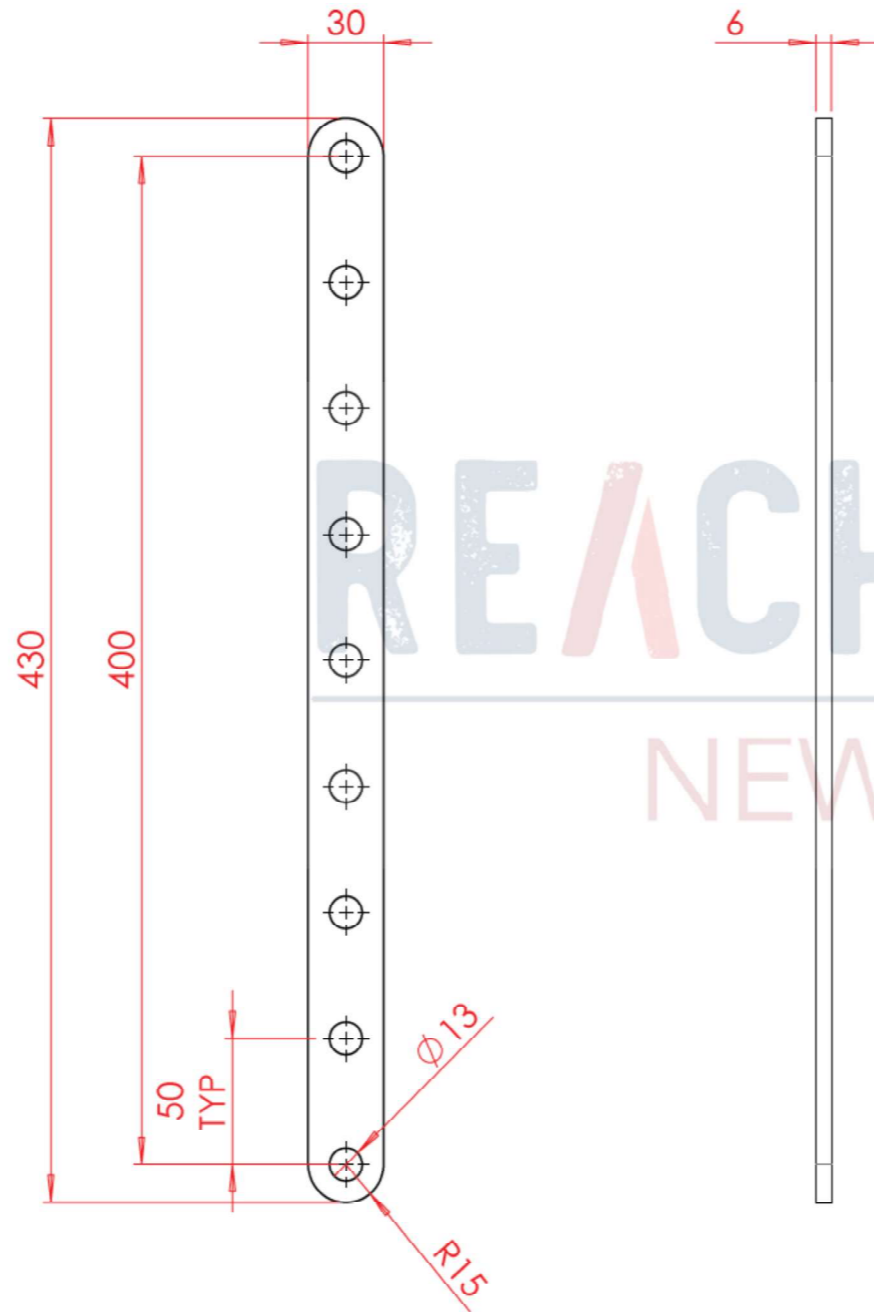
DRAWN BY JR DRAWN 30 JAN 2026 APPROX. WEIGHT

DESCRIPTION
Solar Panel Frame Cross Bracket

DWG No.

SURFACE AREA SHEET 1 / 1 SIZE A3 MR

QTY: 2 OFF



ALL DIMENSIONS IN mm
DO NOT SCALE
DESUR SHARP EDGES
IF IN DOUBT ASK



REACH BEYOND
NEW ZEALAND

PROJECT
Mission Pole - Version 03.01

SHEET DESCRIPTION
-

DRAWN BY CRP DRAWN 20 JAN 2026 APPROX. WEIGHT

DESCRIPTION
Solar Panel Linkage

DWG No.

SURFACE AREA SHEET 1 / 1 SIZ A3 MR

20

Bill of Materials

CHANGES IN BLUE

Project Pole Version 03.01
 BOM Rev 2
 Date 9 MAR 2026

Item	Spec	Size	Quantity	Purpose	Drawing Page Number(s)
M20 Nut	Galv	M20	8	Attach BASE to FOUNDATION	2
M20 Washer	Galv	M20	8	Attach BASE to FOUNDATION	2
M16 Bolt	ZP	M16 x 150	4	Attach MAIN POLE to BASE	2
M16 Washer	ZP	M16	8	Attach MAIN POLE to BASE	2
M16 Nut	ZP, Locking	M16	4	Attach MAIN POLE to BASE	2
M6 Bolt	ZP	M6 x 25	2	Attach PLATES to MAIN POLE	7
M6 Washer	ZP	M6	2	Attach PLATES to MAIN POLE	7
M10 Bolt	ZP	M10 x 35	24	Attach PLATES to MAIN POLE	6, 7
M10 Washer	ZP	M10	24	Attach PLATES to MAIN POLE	6, 7
M16 Bolt	ZP	M16 x 75	2	Attach POLE EXTENSION into MAIN POLE	6
M10 Bolt	Galv	M10 x 25	2	Attach TABLE to MAIN POLE	6
M10 Washer	Galv	M10 x 25	2	Attach TABLE to MAIN POLE	6
M10 Bolt	Galv	M10 x 25	4	Attach SPEAKER BRACKET to POLE EXTENSION	7
M10 Washer	Galv	M10	4	Attach SPEAKER BRACKET to POLE EXTENSION	7
M8 Bolt	Galv	M8 x 25	2	Attach SPEAKER to SPEAKER BRACKET	13
M8 Washer	Galv	M8	4	Attach SPEAKER to SPEAKER BRACKET	13
M8 Nut	Galv	M8	2	Attach SPEAKER to SPEAKER BRACKET	13
M10 Bolt	Galv	M10 x 25	4	Attach SOLAR LIGHT BRACKET to MAIN POLE	7
M10 Washer	Galv	M10	4	Attach SOLAR LIGHT BRACKET to MAIN POLE	7
M16 Bolt	ZP	M16 x 85	2	Attach SOLAR PANEL MOUNT into POLE EXTENSION	7
M12 Bolt	ZP	M12 x 120	3	Attach SOLAR PANEL MOUNT, LINKAGE, and BRACKET	15
M12 Washer	Galv	M12	6	Attach SOLAR PANEL MOUNT, LINKAGE, and BRACKET	15
M12 Nut	ZP, Locking	M12	3	Attach SOLAR PANEL MOUNT, LINKAGE, and BRACKET	15
M10 Washer	Galv	M10	4	Attach SOLAR PANEL CROSS BRACKET to SOLAR PANEL BRACKET	15
M10 Nut	ZP, Locking	M10	4	Attach SOLAR PANEL CROSS BRACKET to SOLAR PANEL BRACKET	15
M8 Bolt	ZP	M8 x 25	4	Attach SOLAR PANEL to SOLAR PANEL CROSS BRACKET	15
M8 Washer	ZP	M8	8	Attach SOLAR PANEL to SOLAR PANEL CROSS BRACKET	15
M8 Nut	ZP, Locking	M8	4	Attach SOLAR PANEL to SOLAR PANEL CROSS BRACKET	15
M16 Bolt	ZP	M16 x 50	1	Attach CAM POLE to SOLAR PANEL MOUNT	15
M16 Nut	Galv	M16	2	Welded onto MAIN POLE	6
M16 Nut	Galv	M16	2	Welded onto POLE EXTENSION	7
M16 Nut	Galv	M16	1	Welded onto SOLAR PANEL MOUNT BASE w. CAM	16

